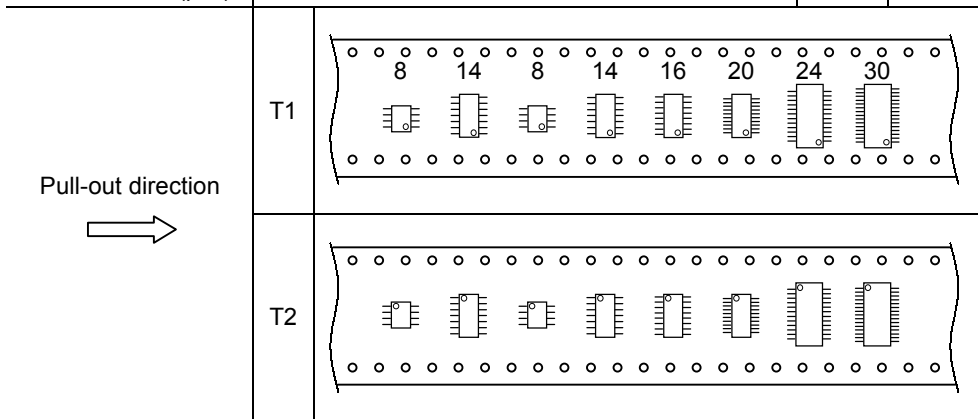


Taping Dimensions

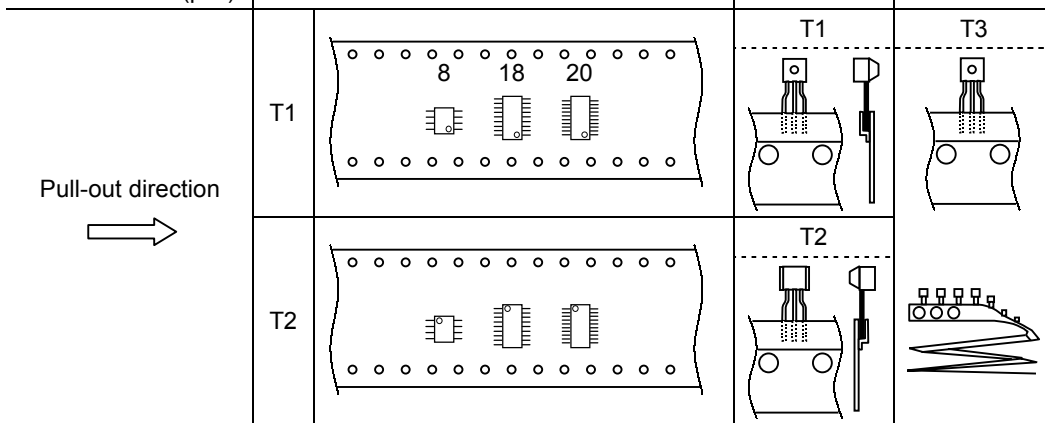
There are two types of taping packing, Adhesive Taping in accordance with EIAJ standard ET-7101 "Packaging of Electronic Components on Continuous Tapes (Adhesive Types)" and Emboss carrier taping in accordance with JIS standard C-0806 "Packaging of Electronic Components on Continuous Tapes (Surface Mounting Device)".

Adhesive Taping Table

Item	PKG	EMP		DMP					SDMP	
		8pin	14pin	8pin	14pin	16pin	20pin	24pin	30pin	
Reel Diameter (mm)		Ø 300								
Tape Width (mm)		32								
Pitch (mm)		12								
Contents (pcs)		2000					1500	1500		

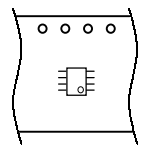
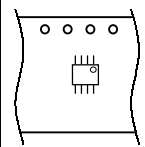
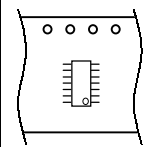
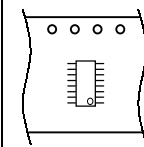
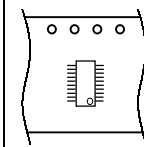
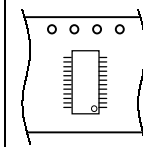
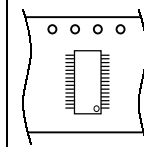
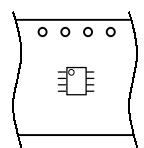
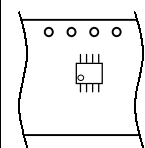
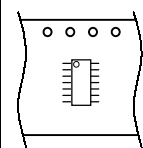
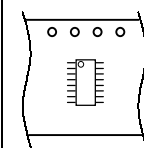
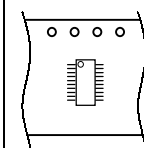
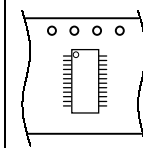
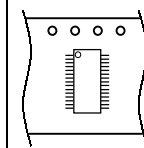


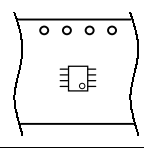
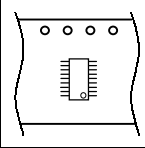
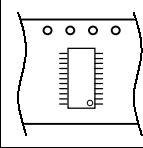
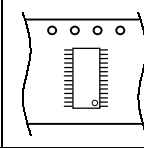
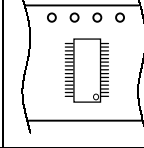
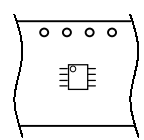
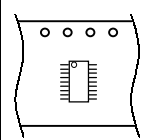
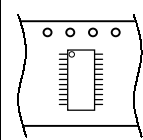
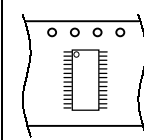
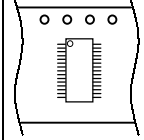
Item	PKG	SOP			TO-92	
		8pin	18pin	20pin	3pin	
Reel Diameter (mm)		Ø 300			Ø 360	Zip zag
Tape Width (mm)		32			18	←
Pitch (mm)		12			12.7	←
Contents (pcs)		2000			←	←

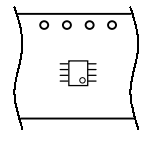
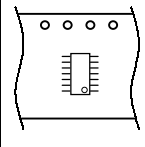
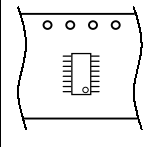
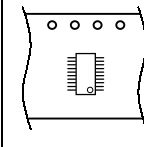
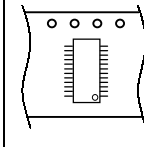
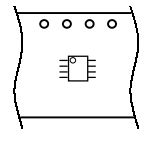
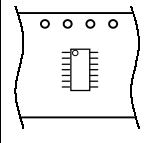
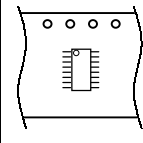
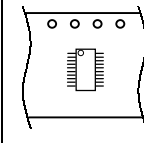
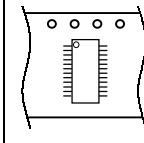


TAPING DIMENSIONS

Emboss Taping Table

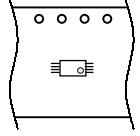
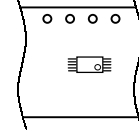
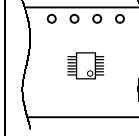
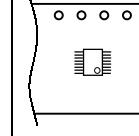
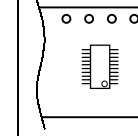
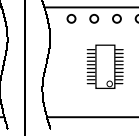
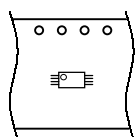
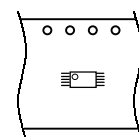
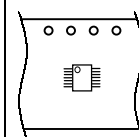
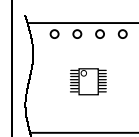
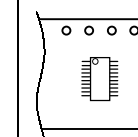
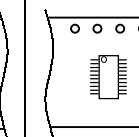
Item	PKG	DMP					SDMP	
		8pin	8pin	14pin	16pin	20pin	24pin	30pin
Reel Diameter (mm)	Ø 330	←	←	←	←	←	←	←
Tape Width (mm)	16	12	16	←	←	24	←	←
Pitch (mm)	12	8	12	←	←	16	←	←
Contents (pcs)	2000	←	←	←	←	←	1000	←
Pull-out direction →		TE1	TE3	TE1	TE1	TE1	TE1	TE1
								
		TE2	TE4	TE2	TE2	TE2	TE2	TE2
								

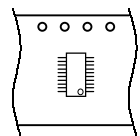
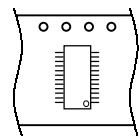
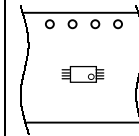
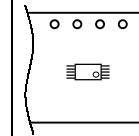
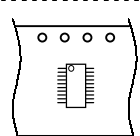
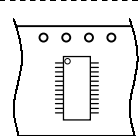
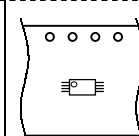
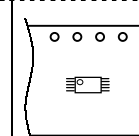
Item	PKG	SOP				
		8pin	18pin	22pin	28pin	40pin
Reel Diameter (mm)	Ø 330	←	←	←	←	←
Tape Width (mm)	12	24	←	←	←	44
Pitch (mm)	8	12	←	←	←	16
Contents (pcs)	3000	2000	←	←	←	1000
Pull-out direction →		TE1	TE1	TE1	TE1	TE1
						
		TE2	TE2	TE2	TE2	TE2
						

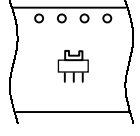
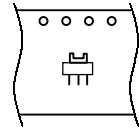
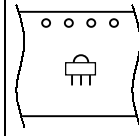
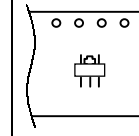
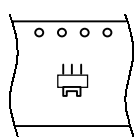
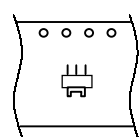
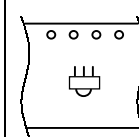
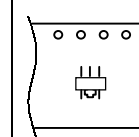
Item	PKG	EMP				
		8pin	14pin	16pinE2	20pinE2	24pinE3
Reel Diameter (mm)	Ø 330	←	←	←	←	←
Tape Width (mm)	12	16	←	←	24	←
Pitch (mm)	8	←	12	←	←	←
Contents (pcs)	2000	←	←	1500	←	←
Pull-out direction →		TE1	TE1	TE1	TE1	TE1
						
		TE2	TE2	TE2	TE2	TE2
						

TAPING DIMENSIONS

Emboss Taping Table

Item \ PKG	SSOP					
	8pin	10pin	14pin	16pin	20pin	20pinB2
Reel Diameter (mm)	Ø 255	←	←	←	←	←
Tape Width (mm)	12	←	←	←	←	←
Pitch (mm)	8	←	←	←	←	←
Contents (pcs)	2000	←	←	←	←	←
Pull-out direction →	TE1	TE1	TE1	TE1	TE1	TE1
						
	TE2	TE2	TE2	TE2	TE2	TE2
						

Item \ PKG	SSOP		VSP	
	20pinF1	24pin	8pin	10pin
Reel Diameter (mm)	Ø 330	←	Ø 255	←
Tape Width (mm)	16	←	12	←
Pitch (mm)	12	←	8	←
Contents (pcs)	2000	←	←	←
Pull-out direction →	TE1	TE1	TE1	TE1
				
	TE2	TE2	TE2	TE2
				

Item \ PKG	TO-252	TO-252(DL1)	SOT-89	
	3pin	3pin	3pin	5pin
Reel Diameter (mm)	Ø 330	←	Ø 180	←
Tape Width (mm)	16	←	12	←
Pitch (mm)	8	←	←	←
Contents (pcs)	3000	←	1000	←
Pull-out direction →	TE1	TE1	TE1	TE1
				
	TE2	TE2	TE2	TE2
				

TAPING DIMENSIONS

Emboss Taping Table

Item	PKG	MTP			SC-88A	FLP		
		5pin	6pin	6pin (6-1)	5pin	6pin(6-B2)	6pin(6-C3)	10pin(10-C1)
Reel Diameter (mm)		∅ 180	←	←	←	←	←	←
Tape Width (mm)		8	←	←	←	←	←	12
Pitch (mm)		4	←	←	←	←	←	←
Contents (pcs)		3000	←	←	←	←	←	←
Pull-out direction →		TE1	TE1	TE1	TE1	TE1	TE1	TE3
		TE2	TE2	TE2	TE2	TE2	TE2	TE4

Item	PKG	FFP			PLCC
		16pin	24pin	32pin	28pin-M2
Reel Diameter (mm)		∅ 255	←	←	∅ 330
Tape Width (mm)		8	12	←	24
Pitch (mm)		4	8	←	16
Contents (pcs)		4000	2000	←	750
Pull-out direction →		TE1	TE1	TE1	TE3
		TE2	TE2	TE2	

TAPING DIMENSIONS

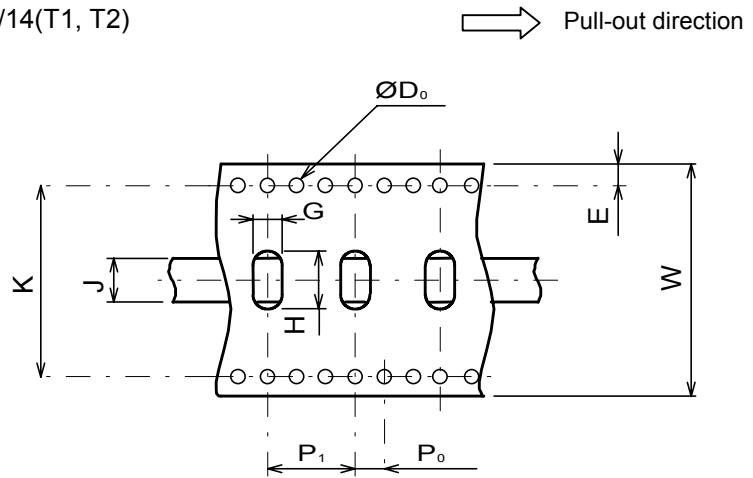
1. Adhesive Taping Dimensions

(1) Adhesive Taping Dimensions for DMP/EMP

- DMP8/14/16/20/24, SDMP30, EMP8/14(T1, T2)

Symbol	Size
D_0	$1.0^{+0.1}_0$
E	3.0 ± 0.1
G	4.0
H	8.0
J	6.0
K	26.0 ± 0.1
P_0	4.0 ± 0.1
P_1	12.0 ± 0.1
W	32.0 ± 0.3

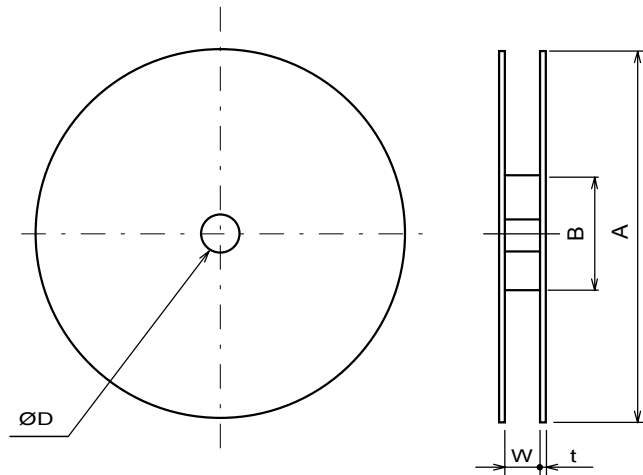
Unit : mm



EMP8/14

Symbol	Size
A	$\text{Ø}300 \pm 2$
B	$\text{Ø}80 \pm 1$
D	$\text{Ø}16 \pm 0.8$
W	34 ± 1
t	2

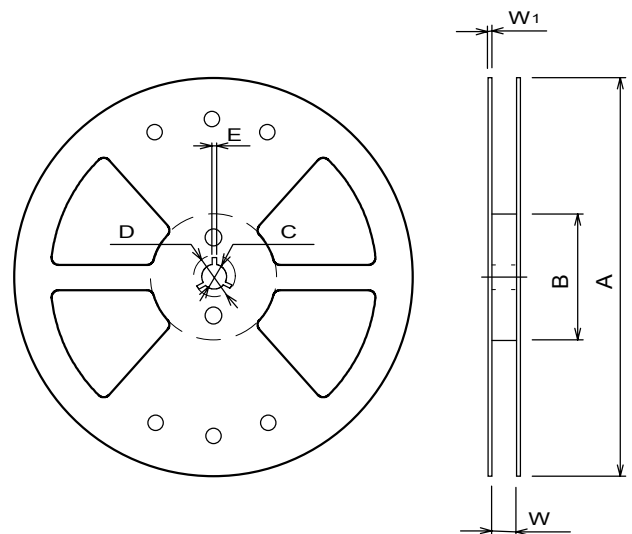
Unit : mm



DMP8/14/16/20/24/SDMP30

Symbol	Size
A	$\text{Ø}300 \pm 2$
B	$\text{Ø}80 \pm 1$
C	$\text{Ø}13 \pm 0.2$
D	$\text{Ø}21 \pm 0.8$
E	2 ± 0.5
W	33.5 ± 0.5
W_1	2.2 ± 0.2

Unit : mm



Pull-out beginning : Empty part 80~100cm + Adhesive Tape 20cm
 Pull-out end : Empty part 80~100cm

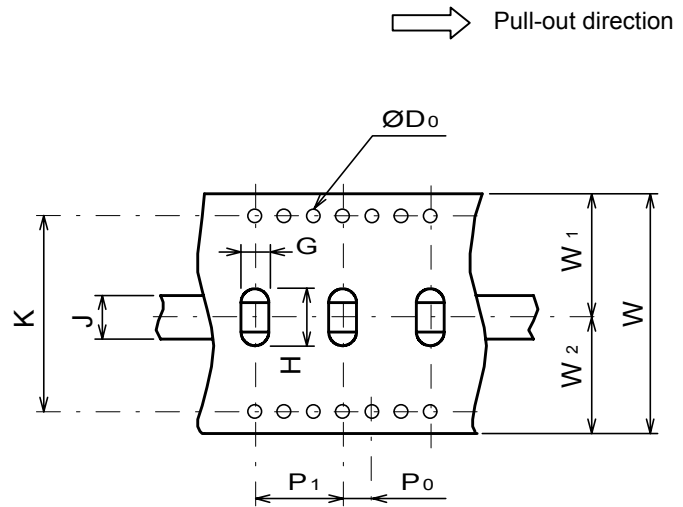
TAPING DIMENSIONS

(2) Adhesive Taping Dimensions for SOP

• SOP8/18/20(T1, T2)

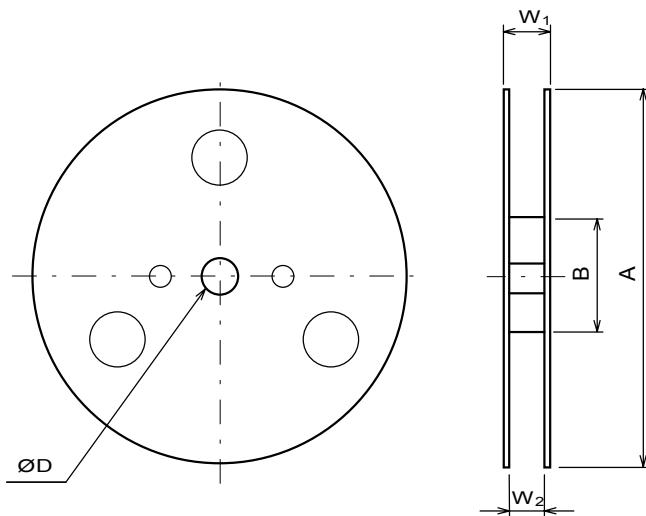
Symbol	Size
D_0	1.0 ± 0.1
G	4.0
H	8.0
J	6.0
K	26.0 ± 0.1
P_0	4.0 ± 0.1
P_1	12.0 ± 0.1
W	32.0 ± 0.3
W_1	16.0
W_2	16.0

Unit : mm



Symbol	Size
A	$\varnothing 300 \pm 2$
B	$\varnothing 80 \pm 2$
D	$\varnothing 16 \pm 0.5$
W_1	37 ± 1
W_2	32.5 ± 1

Unit : mm



Pull-out beginning : Empty part more than 90cm + Adhesive Tape 20cm
 Pull-out end : Empty part 80cm

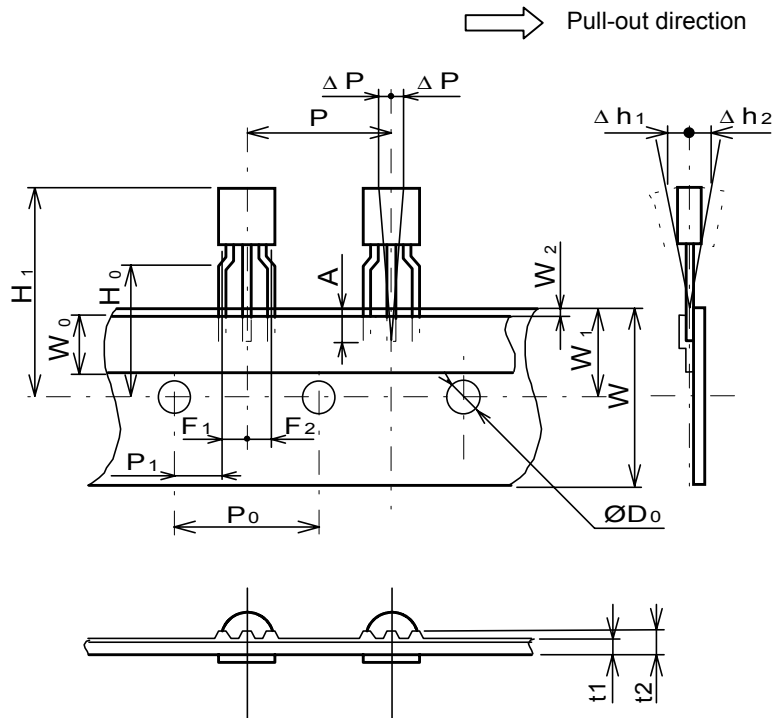
TAPING DIMENSIONS

(3) Adhesive Taping Dimensions for TO

• TO92 (T1, T2)

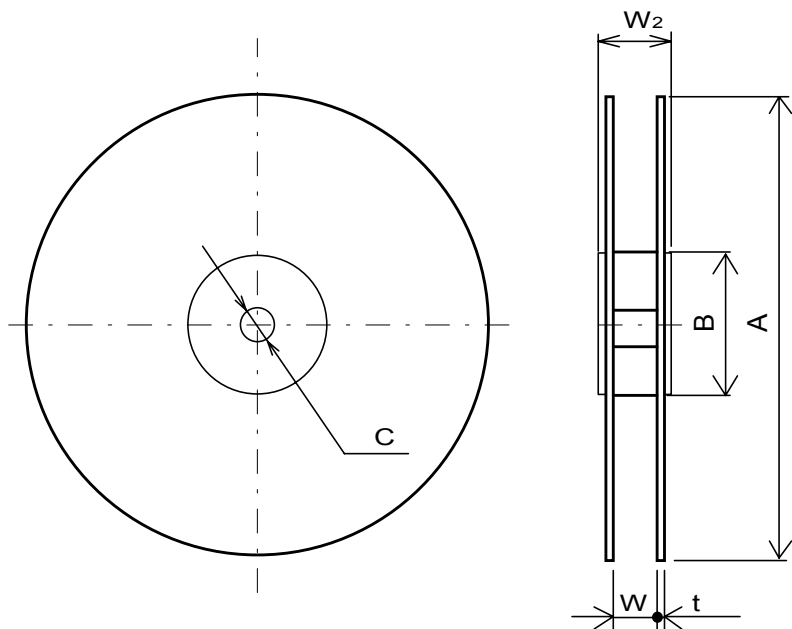
Symbol	Size
A	2.5
D ₀	4.0±0.2
F ₁ , F ₂	2.54 ^{+0.4} _{-0.1}
H ₀	16.0±0.5
H ₁	24.7MAX
Δh ₁ , Δh ₂	2.0MAX
P	12.7±1.0
P ₀	12.7±0.3
P ₁	3.81±0.7
ΔP	1.0MAX
W	18.0 ^{+1.0} _{-0.5}
W ₀	6.0
W ₁	9.0±0.5
W ₂	0.5MAX
t ₁	0.6±0.3
t ₂	1.5MAX

Unit : mm



Symbol	Size
A	Ø360
B	Ø89
C	Ø30
W	43.0
W ₂	53.0
t	3.0

Unit : mm



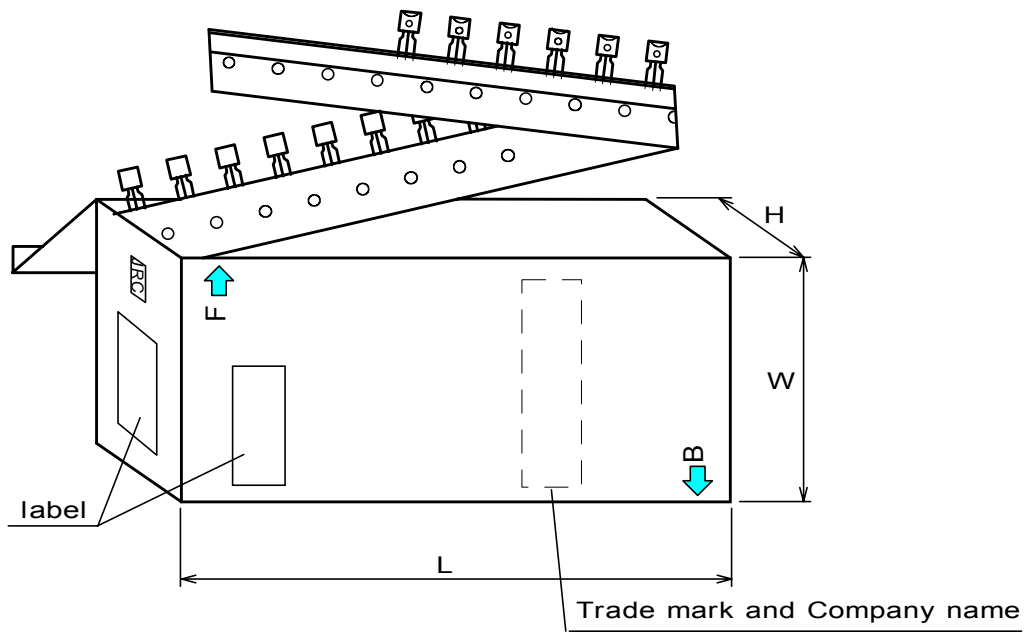
Pull-out beginning : Empty part more than 5 devices + layer paper more than 100cm
 Pull-out end : Empty part more than 5 devices + layer paper more than 100cm

TAPING DIMENSIONS

• TO92 (T3)

Symbol	Size
L	336
W	262
H	45

Unit : mm



Zigzag type (25 devices winding)
Tape size is the same as T1/T2 type

TAPING DIMENSIONS

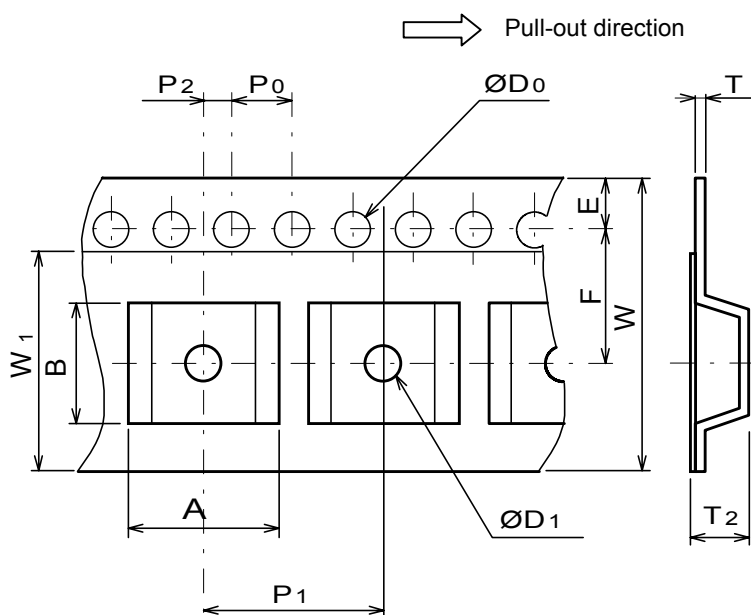
2. Emboss Carrier Taping Dimensions

(1) Emboss Carrier Taping Dimensions for DMP

• DMP8 (TE1, TE2)

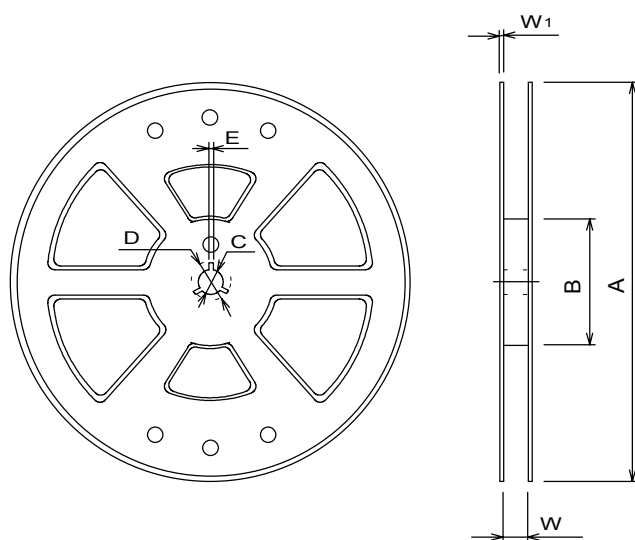
Symbol	Size	Remark
A	7.1	Bottom size
B	5.4	Bottom size
D ₀	1.55±0.05	
D ₁	2.05±0.1	
E	1.75±0.1	
F	7.5±0.1	
P ₀	4.0±0.1	
P ₁	12.0±0.1	
P ₂	2.0±0.1	
T	0.3±0.05	
T ₂	2.3	
W	16.0±0.3	
W ₁	13.5	Thickness 0.1MAX

Unit : mm



Symbol	Size
A	Ø330±2
B	Ø80±1
C	Ø13±0.2
D	Ø21±0.8
E	2±0.5
W	17.5±0.5
W ₁	2±0.2

Unit : mm



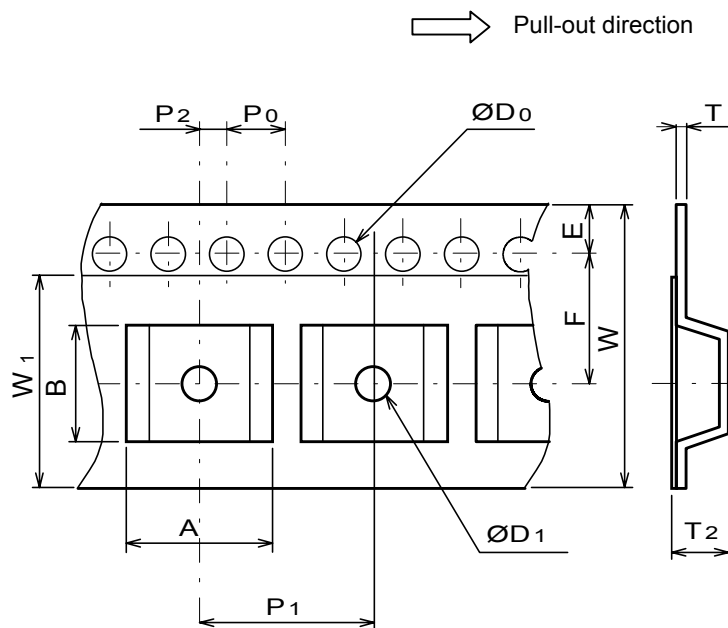
Pull-out beginning : Empty part more than 20 embosses + Cover tape more than one around reel
 Pull-out end : Empty part more than 20 embosses

TAPING DIMENSIONS

• DMP8 (TE3, TE4)

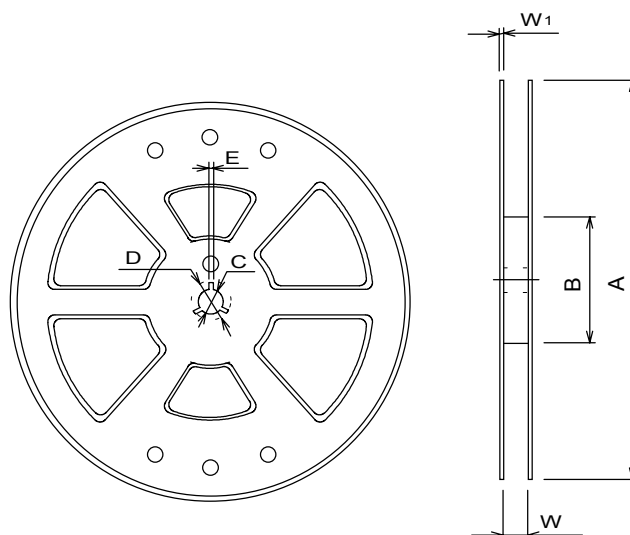
Symbol	Size	Remark
A	5.4	Bottom size
B	7.3	Bottom size
D ₀	1.5 ^{+0.1} ₋₀	
D ₁	1.7±0.1	
E	1.75±0.1	
F	5.5±0.05	
P ₀	4.0±0.1	
P ₁	8.0±0.1	
P ₂	2.0±0.05	
T	0.3±0.05	
T ₂	2.3	
W	12.0±0.3	
W ₁	9.5	Thickness 0.1MAX

Unit : mm



Symbol	Size
A	Ø330±2
B	Ø80±1
C	Ø13±0.2
D	Ø21±0.8
E	2±0.5
W	13.5±0.5
W ₁	2±0.2

Unit : mm



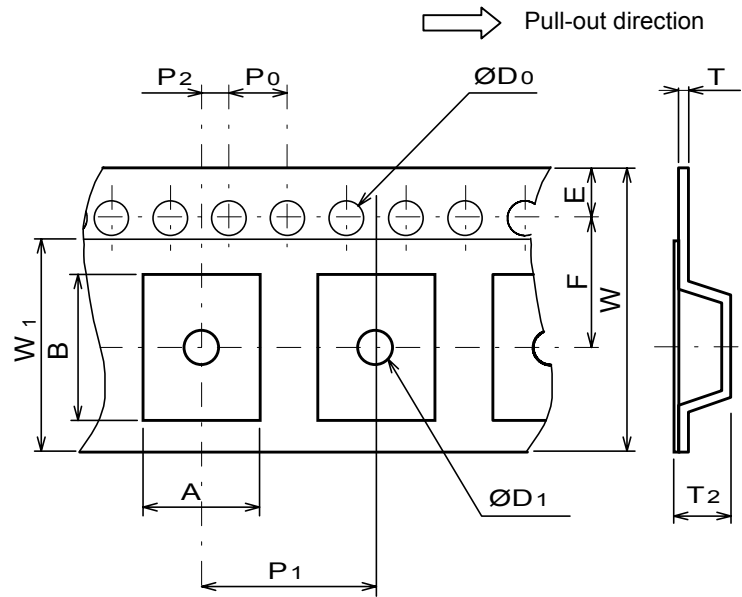
Pull-out beginning : Empty part more than 20 embosses + Cover tape more than one around reel
 Pull-out end : Empty part more than 20 embosses

TAPING DIMENSIONS

• DMP14/16/20(TE1, TE2)

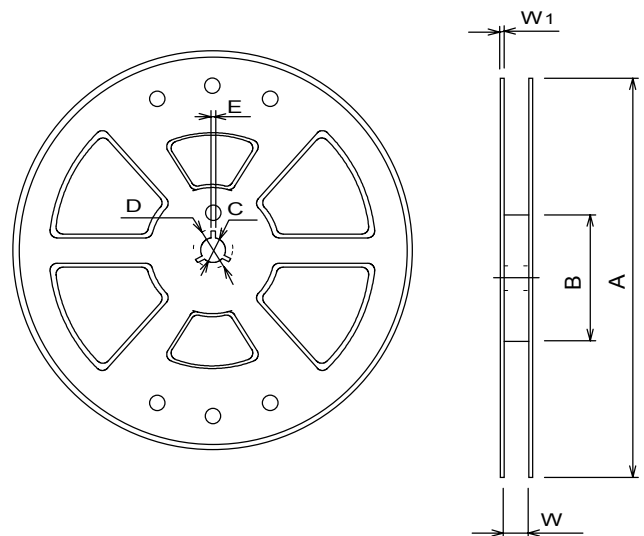
Symbol	Size	Remark
A	7.4	Bottom size
B	10.4	Bottom size
D ₀	1.5 ^{+0.1} ₋₀	
D ₁	1.7±0.1	
E	1.75±0.1	
F	7.5±0.1	
P ₀	4.0±0.1	
P ₁	12.0±0.1	
P ₂	2.0±0.1	
T	0.3±0.05	
T ₂	2.3	
W	16.0±0.3	
W ₁	13.5	Thickness 0.1MAX

Unit : mm



Symbol	Size
A	Ø330±2
B	Ø80±1
C	Ø13±0.2
D	Ø21±0.8
E	2±0.5
W	17.5±0.5
W ₁	2±0.2

Unit : mm



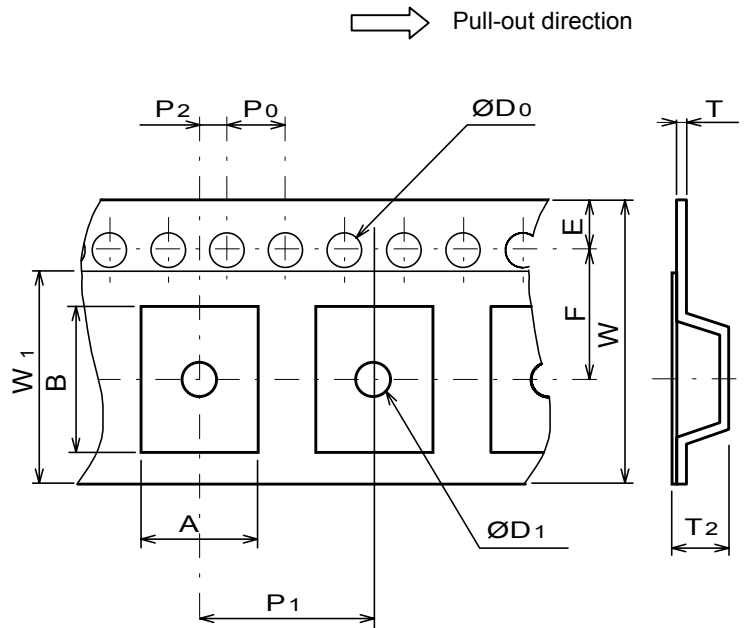
Pull-out beginning : Empty part more than 20 embosses + Cover tape more than one around reel
 Pull-out end : Empty part more than 20 embosses

TAPING DIMENSIONS

• DMP24/SDMP30 (TE1, TE2)

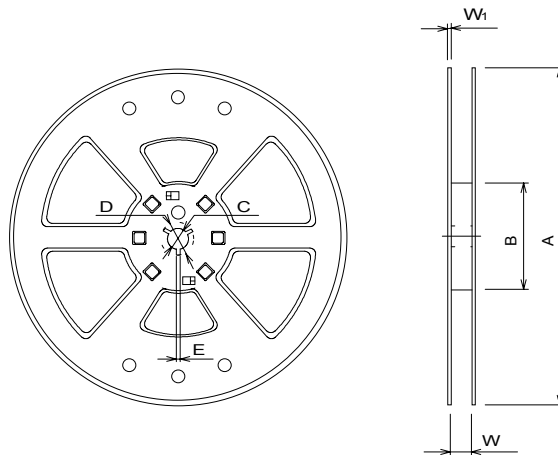
Symbol	Size	Remark
A	11.0	Bottom size
B	16.0	Bottom size
D ₀	1.5 ^{+0.1} ₋₀	
D ₁	2.0 ^{+0.1} ₋₀	
E	1.75±0.1	
F	11.5±0.1	
P ₀	4.0±0.1	
P ₁	16.0±0.1	
P ₂	2.0±0.1	
T	0.3±0.05	
T ₂	3.3	
W	24.0±0.3	
W ₁	21.0	Thickness 0.1MAX

Unit : mm



Symbol	Size
A	Ø330±2
B	Ø80±1
C	Ø13±0.2
D	Ø21±0.8
E	2±0.5
W	25.5±0.8
W ₁	3.1±0.2

Unit : mm



Pull-out beginning : Empty part more than 20 embosses + Cover tape more than one around reel
 Pull-out end : Empty part more than 20 embosses

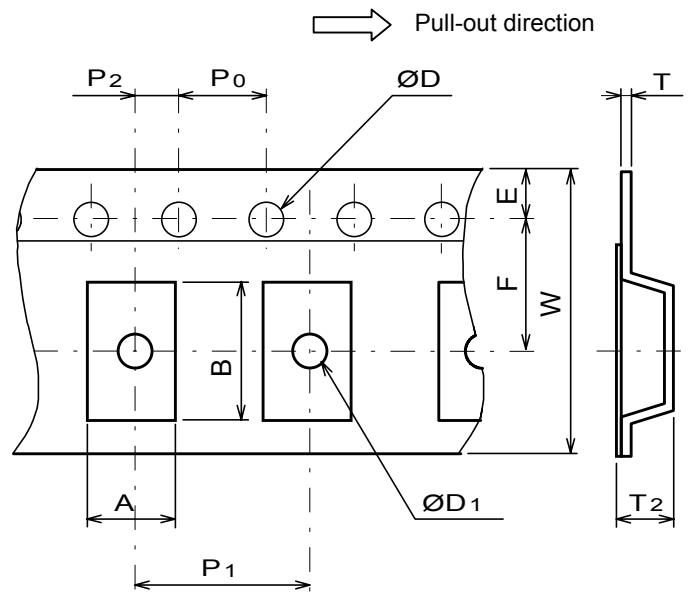
TAPING DIMENSIONS

(2) Emboss Carrier Taping Dimensions for SOP

- SOP8/18/22/28(TE1, TE2)

	SOP8	SOP18	SOP22/28
Symbol	Size	Size	Size
A	6.7±0.1	8.4±0.1	8.4±0.1
B	5.55±0.1	12.0±0.1	14.5±0.1
D	1.55±0.05	1.55±0.05	1.55±0.05
D ₁	2.05±0.05	2.05±0.05	2.05±0.05
E	1.75±0.1	1.75±0.1	1.75±0.1
F	5.5±0.05	11.5±0.05	11.5±0.05
P ₀	4.0±0.1	4.0±0.1	4.0±0.1
P ₁	8.0±0.1	12.0±0.1	12.0±0.1
P ₂	2.0±0.05	2.0±0.05	2.0±0.05
T	0.3±0.05	0.3±0.05	0.3±0.05
T ₂	2.46	2.86	2.86
W	12.0±0.2	24.0±0.3	24.0±0.3

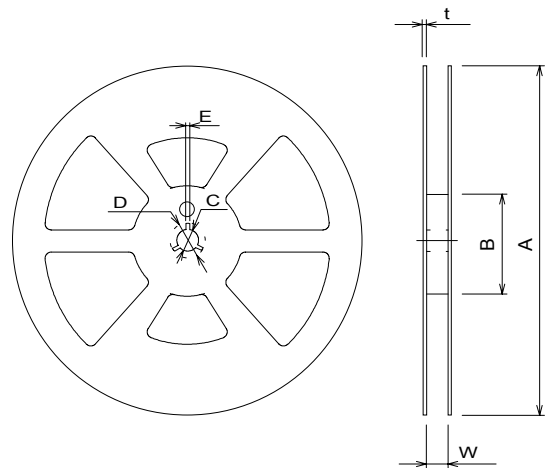
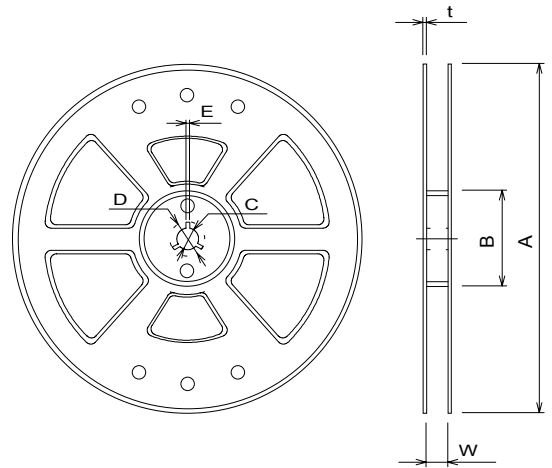
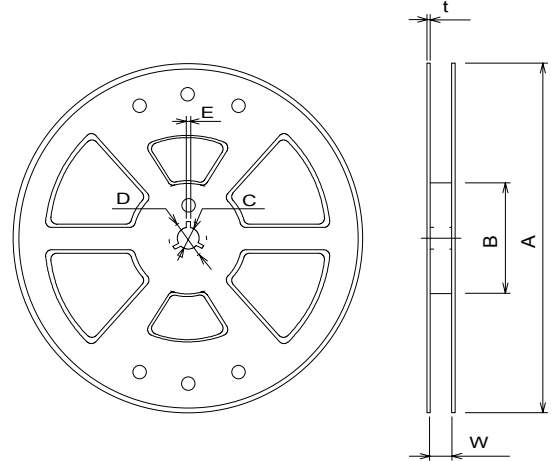
Unit : mm



TAPING DIMENSIONS

	SOP8	SOP18/22/28
Symbol	Size	Size
A	Ø330±2	Ø330±2
B	Ø80±1	Ø80±1
C	Ø13±0.2	Ø13±0.2
D	Ø21±0.8	Ø21±0.8
E	2±0.5	2±0.5
W	13.5±0.5	25.5±0.5
t	2±0.2	2±0.2

Unit : mm



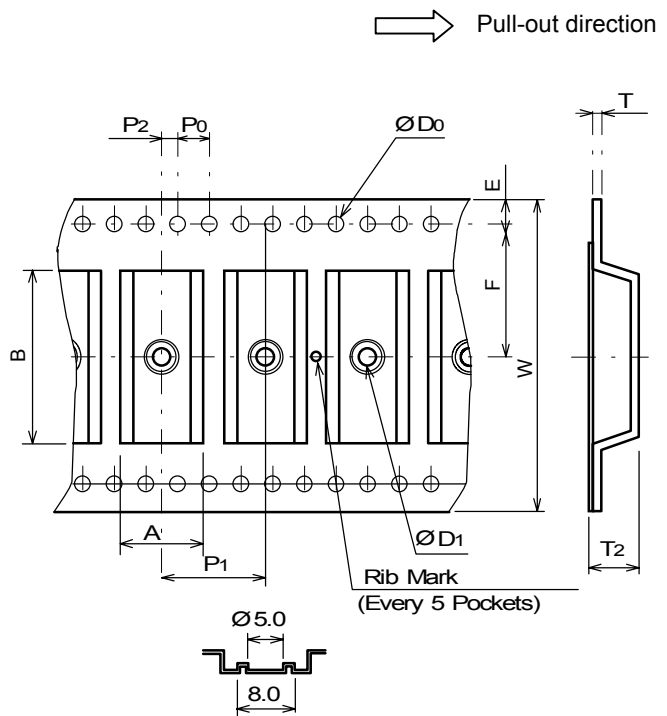
Pull-out beginning : Empty part more than 500mm + Cover tape more than 400mm
 Pull-out end : Empty part more than 500mm + Cover tape more than 400mm

TAPING DIMENSIONS

- SOP40(TE1, TE2)

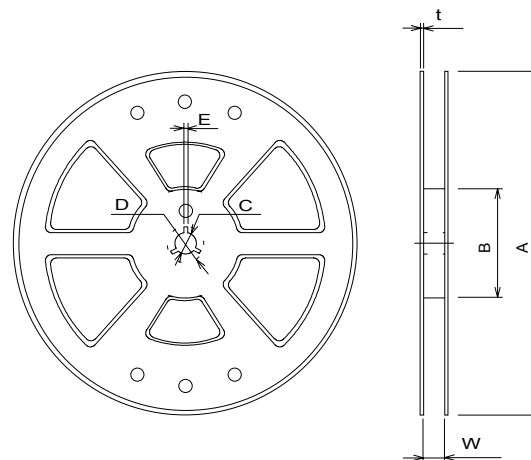
Symbol	Size	Remark
A	12.4	Bottom size
B	27.2	Bottom size
D ₀	1.55	
D ₁	2.05	
E	1.75	
F	20.2	
P ₀	4.0	
P ₁	16.0	
P ₂	2.0	
T	3.96	
T ₂	3.0	
W	44.0	

Unit : mm



Symbol	Size
A	Ø330±2
B	Ø80±1
C	Ø13±0.2
D	Ø21±0.8
E	2±0.5
W	45.5±0.5
t	2

Unit : mm



Pull-out beginning : Empty part more than 500mm + Cover tape more than 400mm
 Pull-out end : Empty part more than 500mm + Cover tape more than 400mm

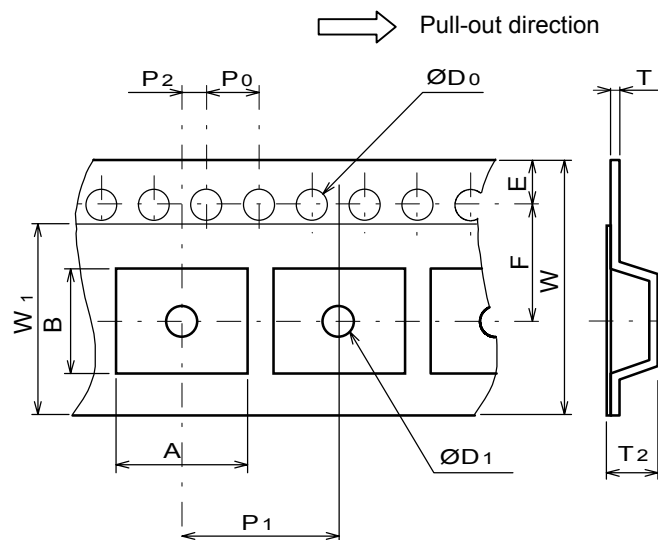
TAPING DIMENSIONS

(3) Emboss Carrier Taping Dimensions for EMP

• EMP8/14(TE1, TE2)

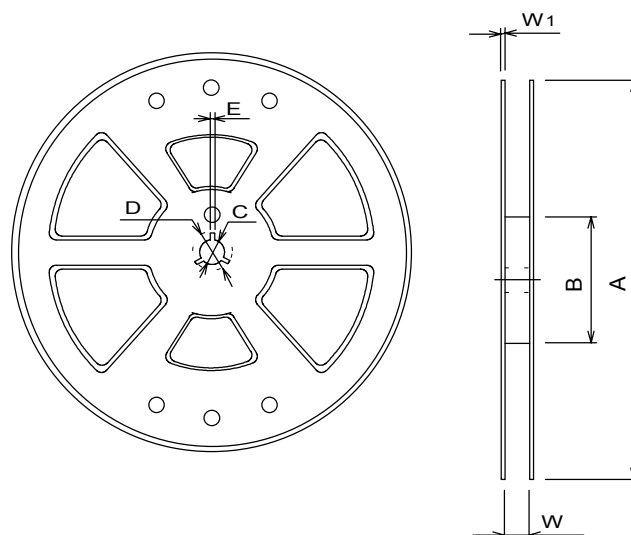
	EMP8	EMP14	
Symbol	Size	Size	Remark
A	6.6	6.6	Bottom size
B	5.4	9.1	Bottom size
D ₀	1.5 ^{+0.1} ₋₀	1.5 ^{+0.1} ₋₀	
D ₁	1.7±0.1	1.7±0.1	
E	1.75±0.1	1.75±0.1	
F	5.5±0.05	7.5±0.1	
P ₀	4.0±0.1	4.0±0.1	
P ₁	8.0±0.1	8.0±0.1	
P ₂	2.0±0.05	2.0±0.1	
T	0.3±0.05	0.3±0.05	
T ₂	2.2	2.2	
W	12.0±0.3	16.0±0.3	
W ₁	9.5	13.5	Thickness 0.1MAX

Unit : mm



	EMP8	EMP14
Symbol	Size	Size
A	Ø330±2	Ø330±2
B	Ø80±1	Ø80±1
C	Ø13±0.2	Ø13±0.2
D	Ø21±0.8	Ø21±0.8
E	2±0.5	2±0.5
W	13.5±0.5	17.5±0.5
W ₁	2±0.2	2±0.2

Unit : mm



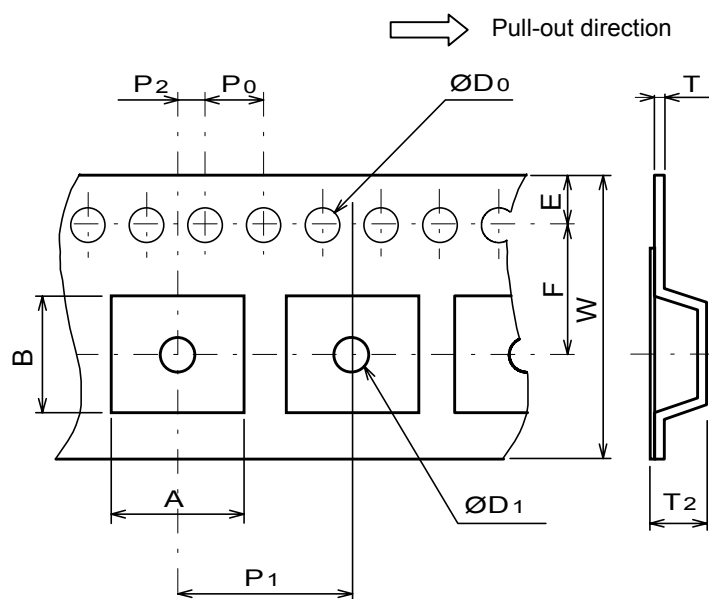
Pull-out beginning : Empty part more than 20 embosses + Cover tape more than one around reel
 Pull-out end : Empty part more than 20 embosses

TAPING DIMENSIONS

• EMP16-E2 (TE1, TE2)

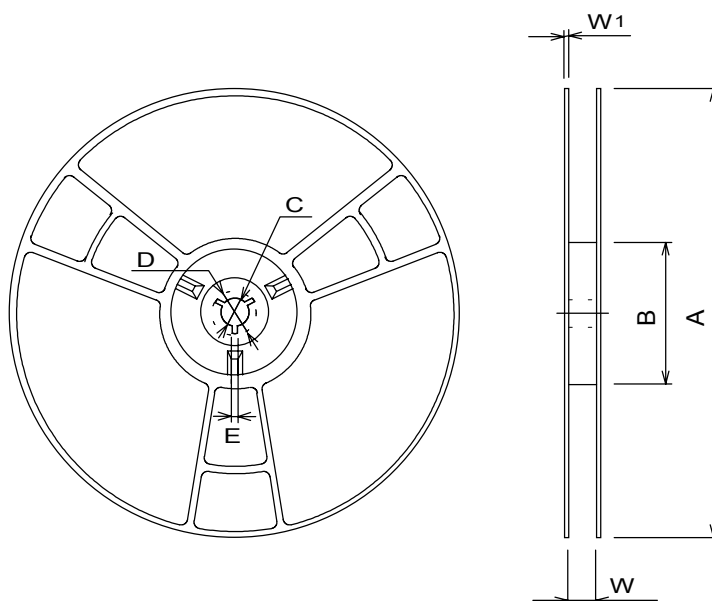
Symbol	Size	Remark
A	10.9	Bottom size
B	10.7	Bottom size
D ₀	1.5 ^{+0.1} ₋₀	
D ₁	1.6±0.1	
E	1.75±0.1	
F	7.5±0.1	
P ₀	4.0±0.1	
P ₁	12.0±0.1	
P ₂	2.0±0.1	
T	0.3±0.05	
T ₂	3.0±0.1	
W	16.0±0.3	

Unit : mm



Symbol	Size
A	Ø330±2
B	Ø100±1
C	Ø13 ^{+0.5} _{-0.2}
D	Ø20.2MIN
E	2±0.5
W	16.4 ^{+0.6} _{-0.4}
W ₁	2±0.2

Unit : mm



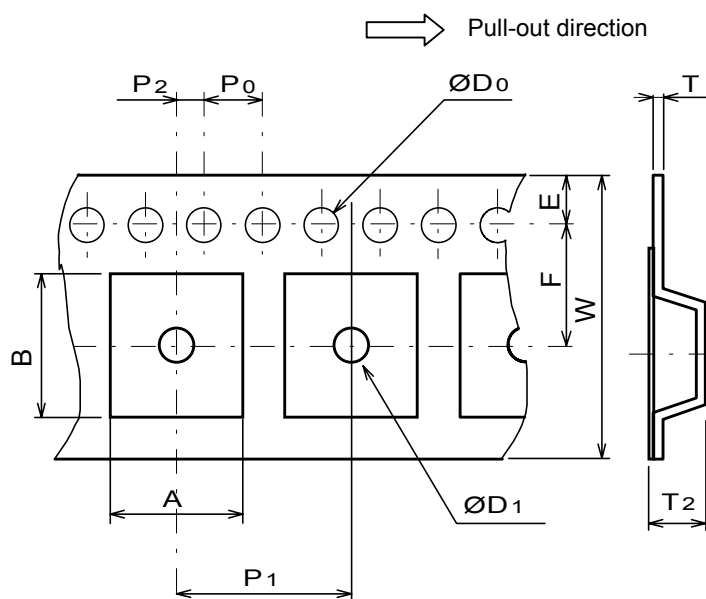
Pull-out beginning : Empty part more than 20 embosses + Cover tape more than one around reel
 Pull-out end : Empty part more than 20 embosses

TAPING DIMENSIONS

• EMP20-E2 (TE1, TE2)

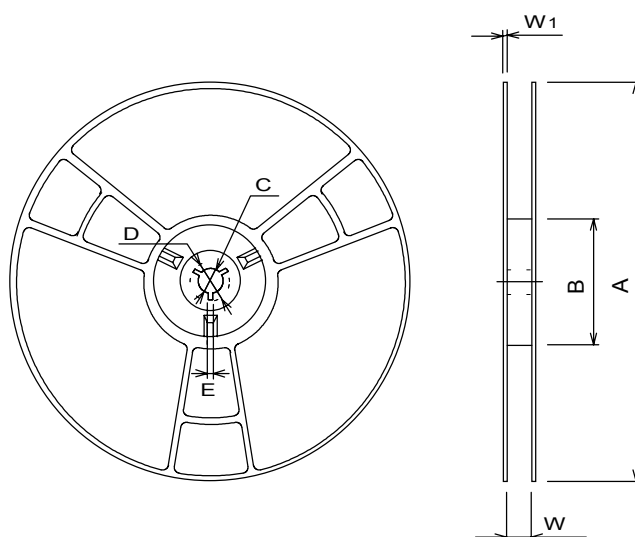
Symbol	Size	Remark
A	10.9	Bottom size
B	13.3	Bottom size
D ₀	1.5 ^{+0.1} ₋₀	
D ₁	1.55±0.1	
E	1.75±0.1	
F	11.5±0.1	
P ₀	4.0±0.1	
P ₁	12.0±0.1	
P ₂	2.0±0.1	
T	0.3±0.05	
T ₂	3.0±0.1	
W	24.0±0.3	

Unit : mm



Symbol	Size
A	Ø330±2
B	Ø100±1
C	Ø13 ^{+0.5} _{-0.2}
D	Ø20.2MIN
E	2±0.5
W	24.8 ^{+0.6} _{-0.4}
W ₁	2±0.2

Unit : mm



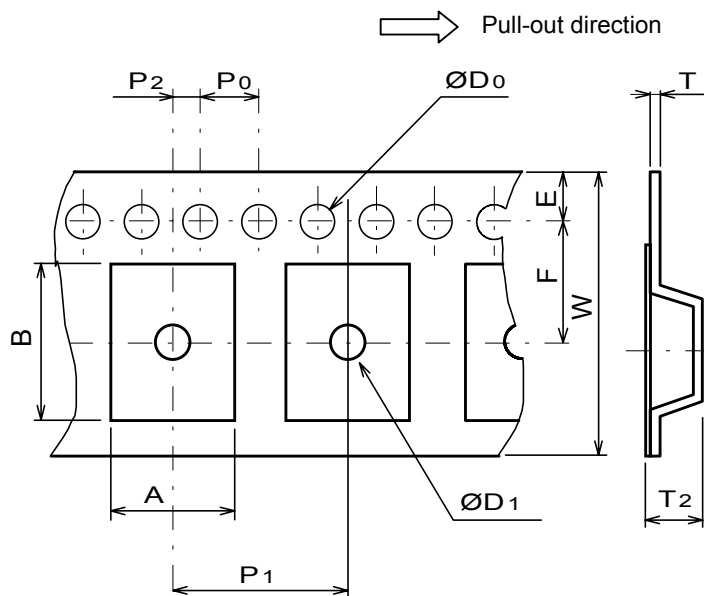
Pull-out beginning : Empty part more than 20 embosses + Cover tape more than one around reel
 Pull-out end : Empty part more than 20 embosses

TAPING DIMENSIONS

• EMP24-E3 (TE1, TE2)

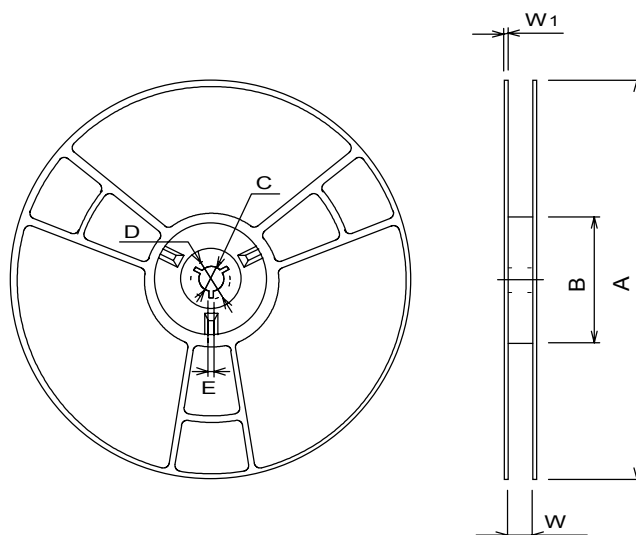
Symbol	Size	Remark
A	10.9	Bottom size
B	16.0	Bottom size
D ₀	1.5 ^{+0.1} ₋₀	
D ₁	1.55±0.1	
E	1.75±0.1	
F	11.5±0.1	
P ₀	4.0±0.1	
P ₁	12.0±0.1	
P ₂	2.0±0.1	
T	0.3±0.05	
T ₂	3.0±0.1	
W	24.0±0.3	

Unit : mm



Symbol	Size
A	Ø330±2
B	Ø100±1
C	Ø13 ^{+0.5} _{-0.2}
D	Ø20.2MIN
E	2±0.5
W	24.8 ^{+0.6} _{-0.4}
W ₁	2±0.2

Unit : mm



Pull-out beginning : Empty part more than 20 embosses + Cover tape more than one around reel
 Pull-out end : Empty part more than 20 embosses

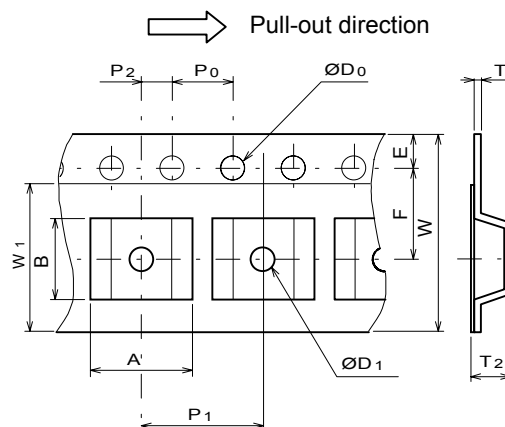
TAPING DIMENSIONS

(4) Emboss Carrier Taping Dimensions for SSOP

• SSOP8/10/14/16/20/20-B2(TE1, TE2)

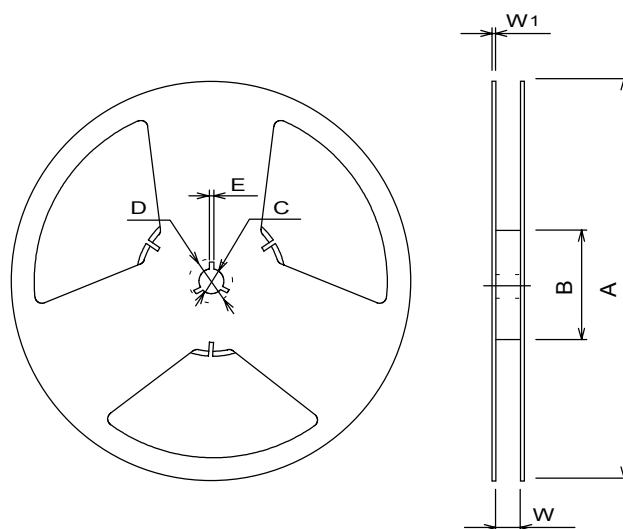
	SSOP8/10	SSOP14/16/20-B2	SSOP20	
Symbol	Size	Size	Size	Remark
A	6.7	6.95	6.7	Bottom size
B	3.9	5.4	6.9	Bottom size
D ₀	1.55±0.05	1.55±0.05	1.55±0.05	
D ₁	1.55±0.1	1.55±0.1	1.55±0.1	
E	1.75±0.1	1.75±0.1	1.75±0.1	
F	5.5±0.05	5.5±0.05	5.5±0.05	
P ₀	4.0±0.1	4.0±0.1	4.0±0.1	
P ₁	8.0±0.1	8.0±0.1	8.0±0.1	
P ₂	2.0±0.05	2.0±0.05	2.0±0.05	
T	0.3±0.05	0.3±0.05	0.3±0.05	
T ₂	2.2	2.2	2.2	
W	12.0±0.3	12.0±0.3	12.0±0.3	
W ₁	9.5	9.5	9.5	Thickness 0.1MAX

Unit : mm



Symbol	Size
A	∅255±1
B	∅80±1
C	∅13±0.2
D	∅21±0.8
E	2±0.5
W	13.5±0.5
W ₁	2±0.2

Unit : mm



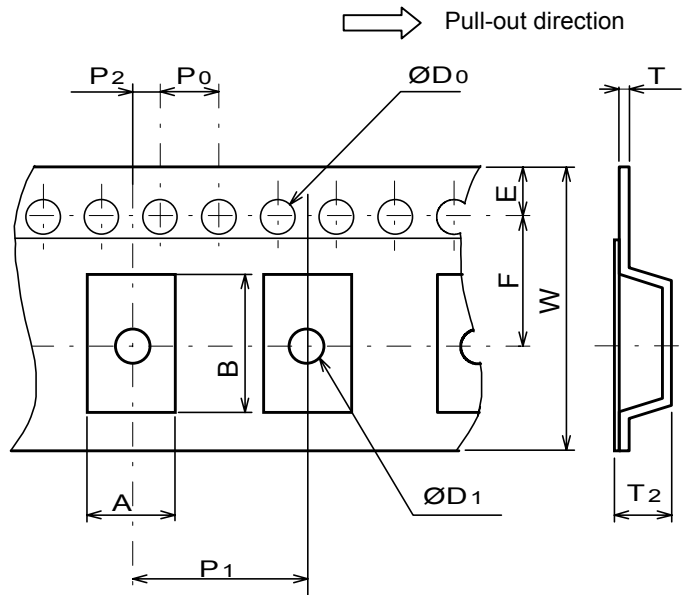
Pull-out beginning : Empty part more than 20 embosses + Cover tape more than one around reel
 Pull-out end : Empty part more than 20 embosses

TAPING DIMENSIONS

• SSOP20-F1/24(TE1, TE2)

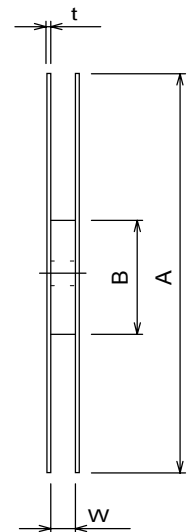
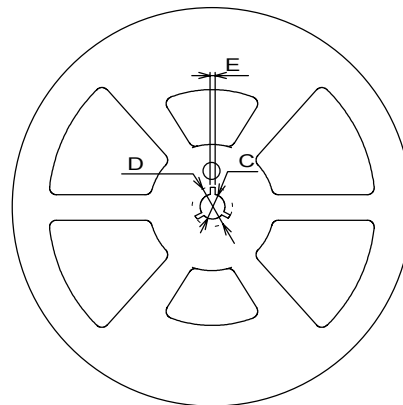
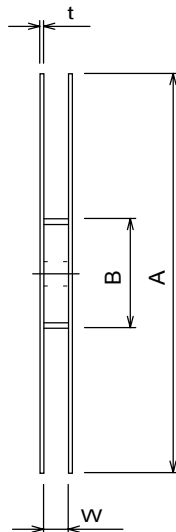
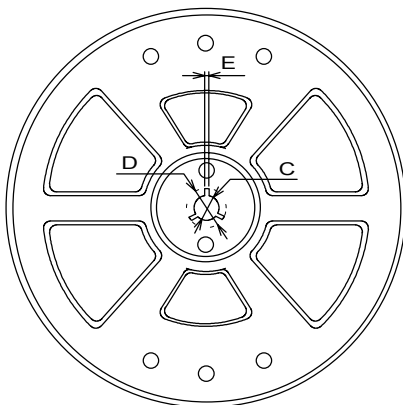
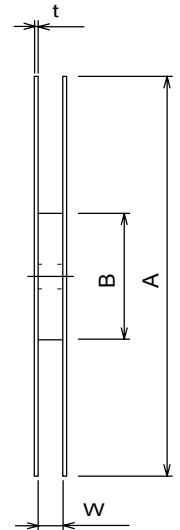
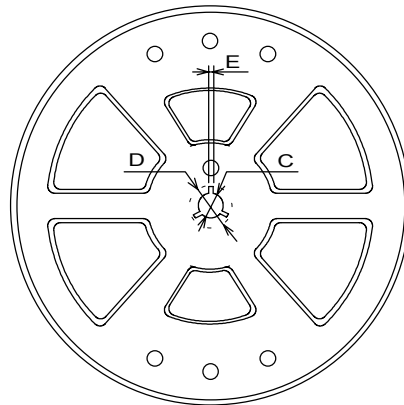
	SSOP20-F1	SSOP24
Symbol	Size	Size
A	8.4±0.1	8.3±0.1
B	9.3±0.1	10.6±0.1
D ₀	1.55±0.05	1.55±0.05
D ₁	1.55±0.05	2.05±0.05
E	1.75±0.1	1.75±0.1
F	7.5±0.05	7.5±0.05
P ₀	4.0±0.1	4.0±0.1
P ₁	12.0±0.1	12.0±0.1
P ₂	2.0±0.05	2.0±0.05
T	0.3±0.05	0.3±0.05
T ₂	2.86	2.76
W	16.0±0.3	16.0±0.3

Unit : mm



Symbol	Size
A	Ø330±2
B	Ø80±1
C	Ø13±0.2
D	Ø21±0.8
E	2±0.5
W	17.5±0.5
t	2±0.2

Unit : mm



Pull-out beginning : Empty part more than 20 embosses + Cover tape more than one around reel
 Pull-out end : Empty part more than 20 embosses

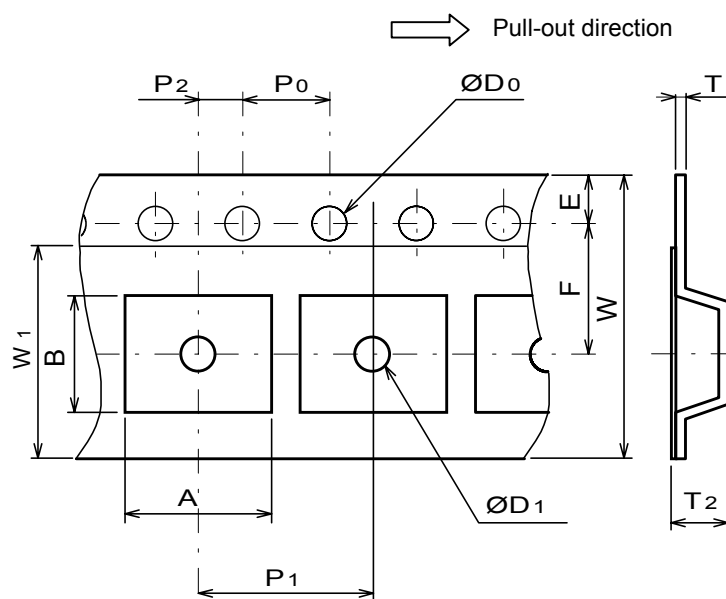
TAPING DIMENSIONS

(5) Emboss Carrier Taping Dimensions for VSP

• VSP8/10(TE1, TE2)

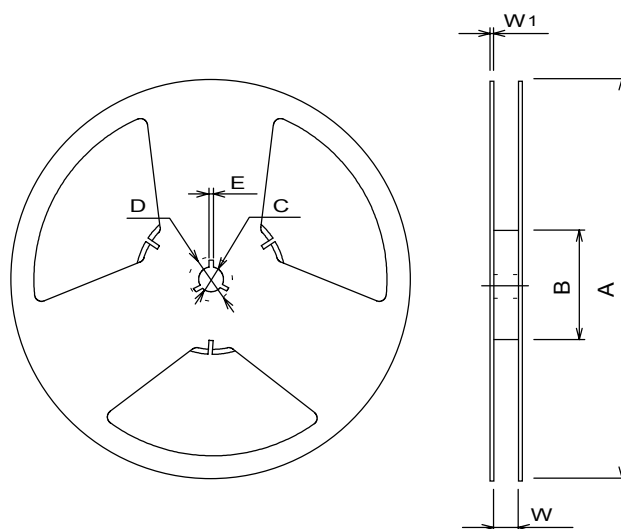
Symbol	Size	Remark
A	4.4	Bottom size
B	3.2	Bottom size
D ₀	1.5 ^{+0.1} ₋₀	
D ₁	1.5 ^{+0.1} ₋₀	
E	1.75±0.1	
F	5.5±0.05	
P ₀	4.0±0.1	
P ₁	8.0±0.1	
P ₂	2.0±0.05	
T	0.3±0.05	
T ₂	2.0(MAX)	
W	12.0±0.3	
W ₁	9.5	Thickness 0.1MAX

Unit : mm



Symbol	Size
A	$\varnothing 255 \pm 1$
B	$\varnothing 80 \pm 1$
C	$\varnothing 13 \pm 0.2$
D	$\varnothing 21 \pm 0.8$
E	2 ± 0.5
W	13.5 ± 0.5
W ₁	2 ± 0.2

Unit : mm



Pull-out beginning : Empty part more than 20 embosses + Cover tape more than one around reel
 Pull-out end : Empty part more than 20 embosses

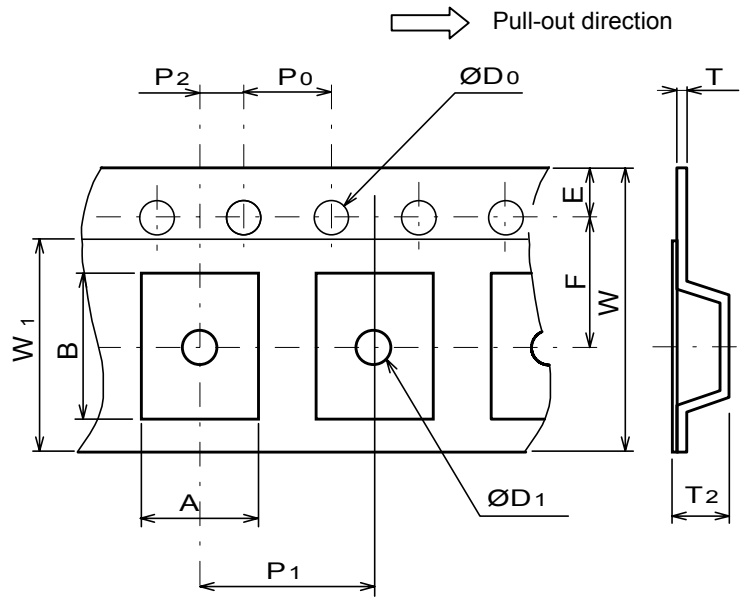
TAPING DIMENSIONS

(6) Emboss Carrier Taping Dimensions for TO

• TO-252 (TE1, TE2)

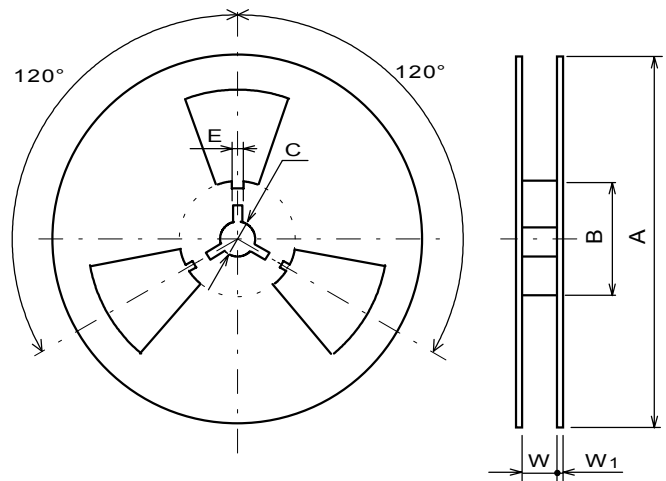
Symbol	Size	Remark
A	6.8±0.1	Bottom size
B	10.6±0.1	Bottom size
D ₀	1.5 ^{+0.1} ₋₀	
D ₁	1.6 ^{+0.1} ₋₀	
E	1.75±0.1	
F	7.5±0.1	
P ₀	4.0±0.1	
P ₁	8.0±0.1	
P ₂	2.0±0.1	
T	0.3±0.1	
T ₂	3.4MAX	
W	16.0±0.3	
W ₁	13.5	Thickness 0.1MAX

Unit : mm



Symbol	Size
A	Ø330±2
B	Ø80±1
C	Ø13±0.5
E	2
W	17.5±0.5
t	2±0.5

Unit : mm



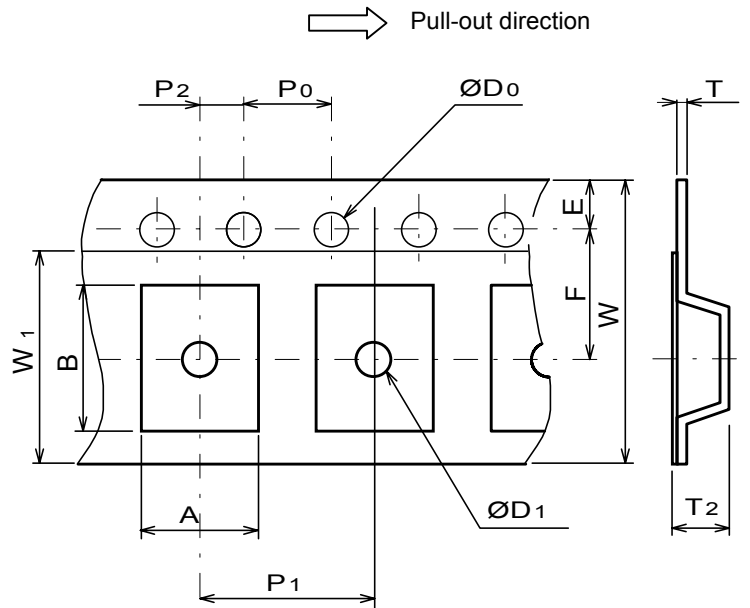
Pull-out beginning : Empty part more than 40mm + Cover tape more than 150mm
 Pull-out end : Empty part more than 40mm

TAPING DIMENSIONS

- TO-252 (DL1) (TE1, TE2)

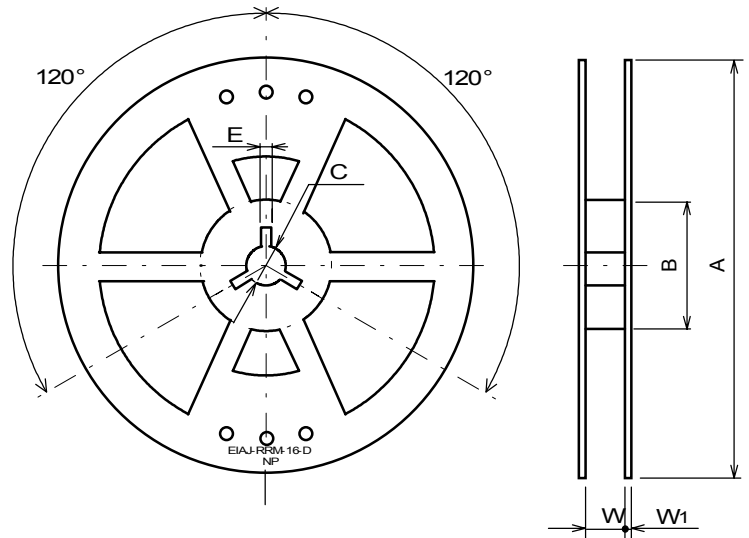
Symbol	Size	Remark
A	6.9±0.1	Bottom size
B	10.5±0.1	Bottom size
D ₀	1.5 ^{+0.1} ₋₀	
D ₁	1.5 ^{+0.1} ₋₀	
E	1.75±0.1	
F	7.5±0.1	
P ₀	4.0±0.1	
P ₁	8.0±0.1	
P ₂	2.0±0.1	
T	0.3±0.1	
T ₂	3.4MAX	
W	16.0±0.3	
W ₁	13.5	Thickness 0.1MAX

Unit : mm



Symbol	Size
A	Ø330±2
B	Ø80±1
C	Ø13±0.5
E	2
W	17.5±0.5
t	2±0.5

Unit : mm



Pull-out beginning : Empty part more than 40mm + Cover tape more than 150mm
 Pull-out end : Empty part more than 40mm

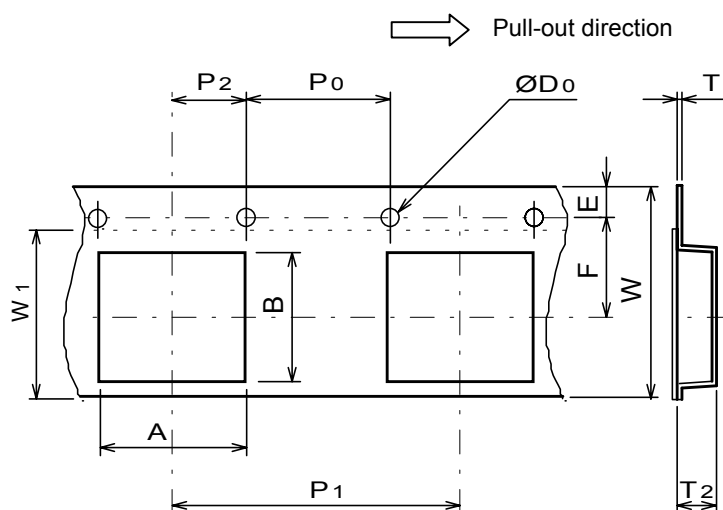
TAPING DIMENSIONS

(7) Emboss Carrier Taping Dimensions for SOT

- SOT89 (TE1, TE2)

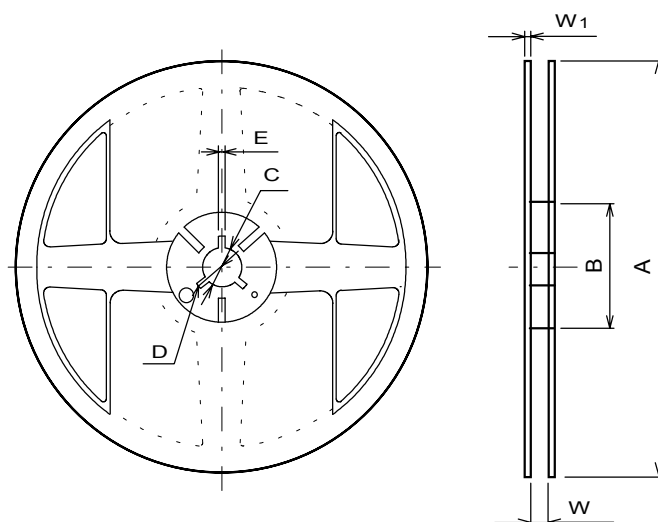
Symbol	Size	Remark
A	4.9±0.1	Bottom size
B	4.5±0.1	Bottom size
D ₀	1.5 ^{+0.1} ₋₀	
E	1.5±0.1	
F	5.65±0.05	
P ₀	4.0±0.1	
P ₁	8.0±0.1	
P ₂	2.0±0.05	
T	0.3±0.05	
T ₂	2.0	
W	12.0±0.3	
W ₁	9.5	Thickness 0.1MAX

Unit : mm



Symbol	Size
A	∅180±1
B	∅60±1
C	∅13±0.2
D	∅21±0.8
E	2±0.5
W	13±0.5
W ₁	1.2±0.2

Unit : mm



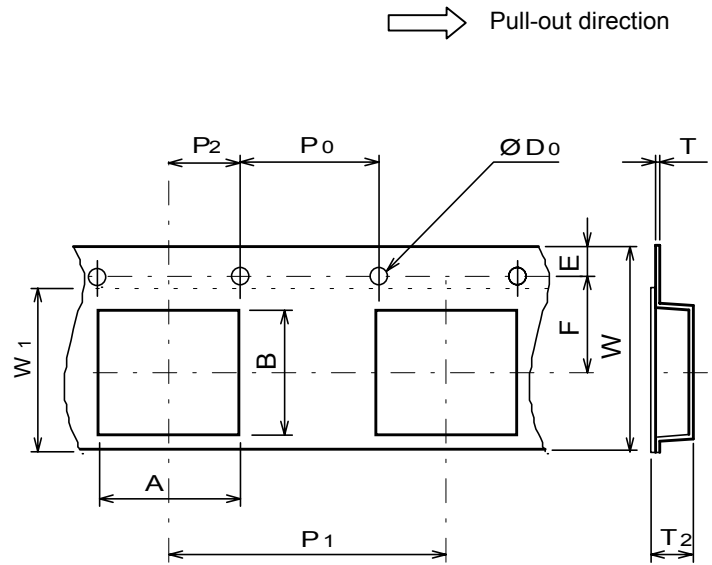
Pull-out beginning : Empty part more than 400mm + Cover tape more than 500mm
 Pull-out end : Empty part more than 400mm

TAPING DIMENSIONS

• SOT89 (5pin)(TE1, TE2)

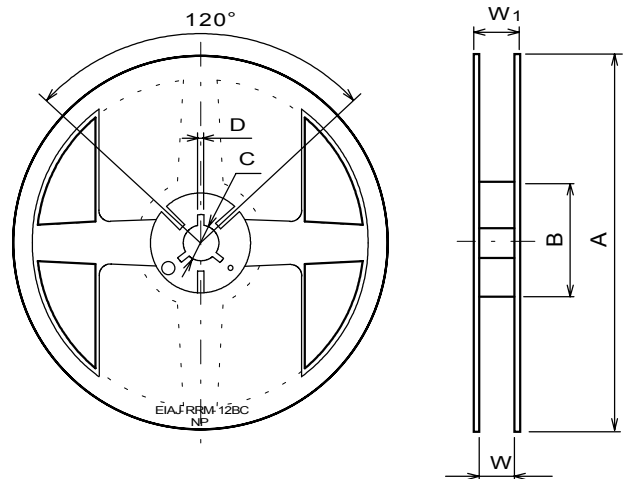
Symbol	Size	Remark
A	4.65	Bottom size
B	4.3	Bottom size
D ₀	1.5 ^{+0.1} ₋₀	
E	1.5	
F	5.65	
P ₀	4.0±0.1	
P ₁	8.0±0.1	
P ₂	2.0	
T	0.3	
T ₂	2.3MAX	
W	12.0±0.2	
W ₁	9.5	Thickness 0.1MAX

Unit : mm



Symbol	Size
A	∅ 180 ⁺⁰ _{-3.0}
B	∅ 60 ^{+1.0} ₋₀
C	∅ 13±0.2
D	2±0.5
W	13±0.3
W ₁	16.5MAX

Unit : mm



Pull-out beginning : Empty part more than 40mm + Cover tape more than 500mm
 Pull-out end : Empty part more than 40mm

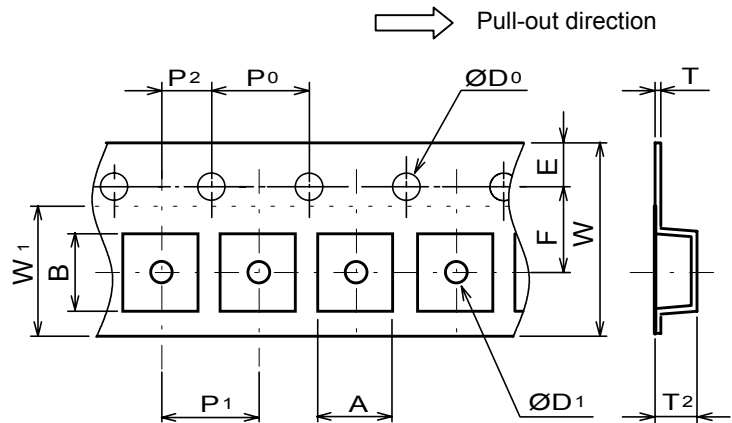
TAPING DIMENSIONS

(8) Emboss Carrier Taping Dimensions for MTP

• MTP5 (TE1, TE2)

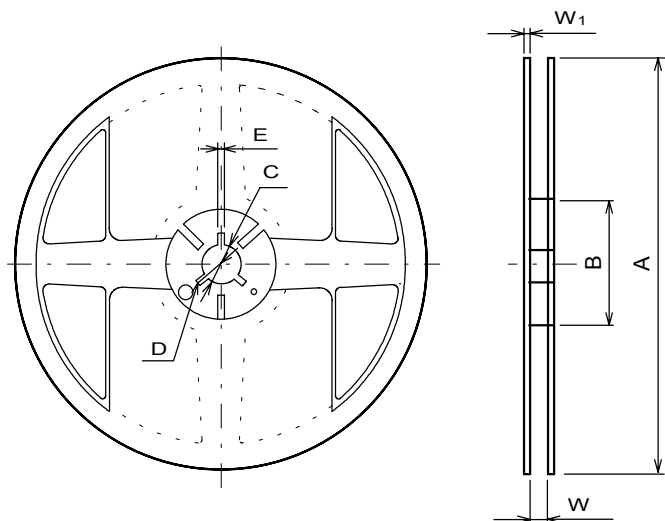
Symbol	Size	Remark
A	3.3±0.1	Bottom size
B	3.2±0.1	Bottom size
D ₀	1.55	
D ₁	1.05	
E	1.75±0.1	
F	3.5±0.05	
P ₀	4.0±0.1	
P ₁	4.0±0.1	
P ₂	2.0±0.05	
T	0.25±0.05	
T ₂	1.5	
W	8.0±0.3	
W ₁	5.5	Thickness 0.1MAX

Unit : mm



Symbol	Size
A	Ø180±1
B	Ø 60±1
C	Ø 13±0.2
D	Ø 21±0.8
E	2±0.5
W	9±0.5
W ₁	1.2±0.2

Unit : mm



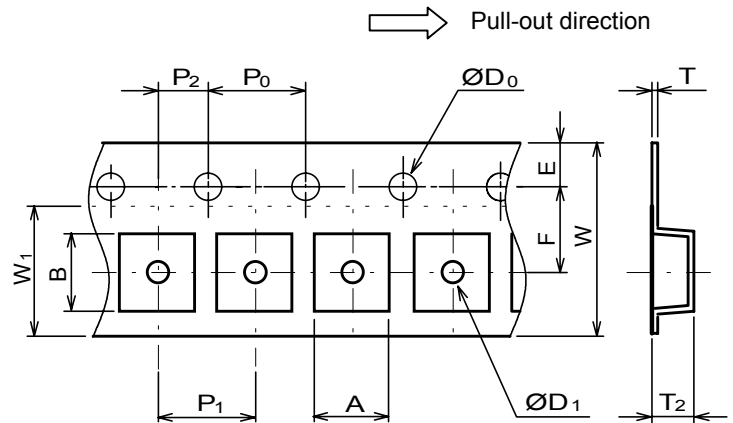
Pull-out beginning : Empty part more than 20 embosses + Cover tape more than one around reel
 Pull-out end : Empty part more than 20 embosses

TAPING DIMENSIONS

• MTP6/6-1(TE1, TE2)

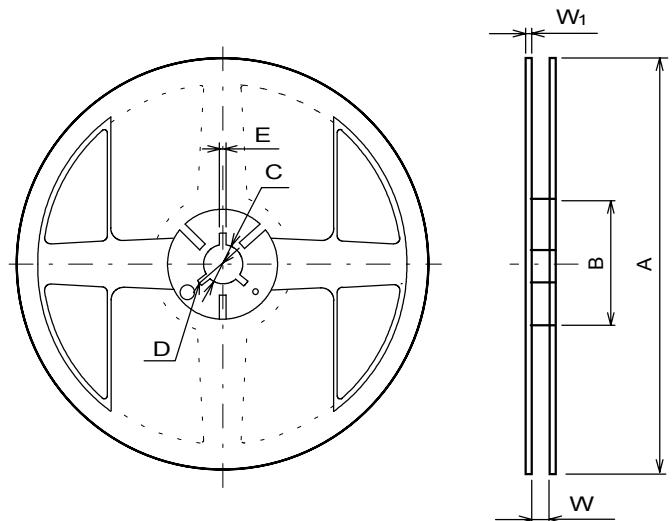
Symbol	Size	Remark
A	3.3±0.1	Bottom size
B	3.2±0.1	Bottom size
D ₀	1.55	
D ₁	1.05	
E	1.75±0.1	
F	3.5±0.05	
P ₀	4.0±0.1	
P ₁	4.0±0.1	
P ₂	2.0±0.05	
T	0.25±0.05	
T ₂	1.5	
W	8.0±0.3	
W ₁	5.5	Thickness 0.1MAX

Unit : mm



Symbol	Size
A	∅180±1
B	∅ 60±1
C	∅ 13±0.2
D	∅ 21±0.8
E	2±0.5
W	9±0.5
W ₁	1.2±0.2

Unit : mm



Pull-out beginning : Empty part more than 20 embosses + Cover tape more than one around reel
 Pull-out end : Empty part more than 20 embosses

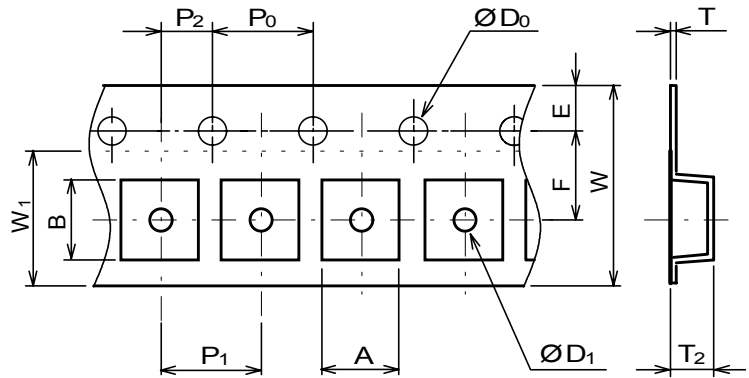
TAPING DIMENSIONS

(9) Emboss Carrier Taping Dimensions for SC-88A

- SC-88A (TE1, TE2)

→ Pull-out direction

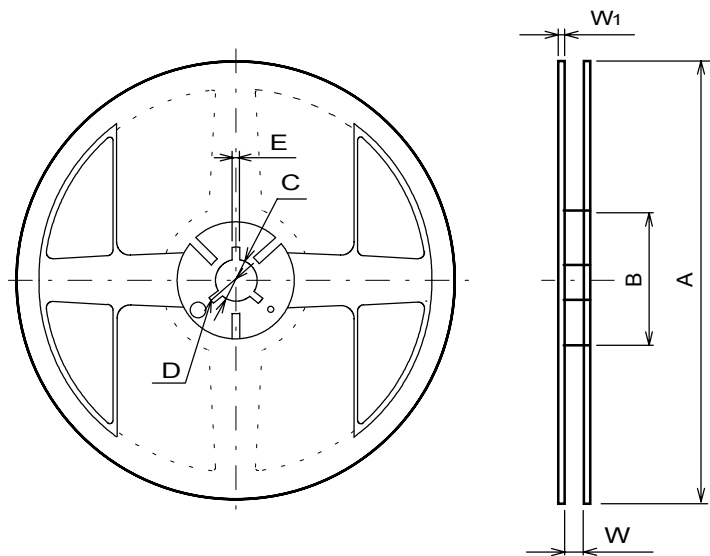
Symbol	Size	Remark
A	2.12±0.1	Bottom size
B	2.40±0.1	Bottom size
D ₀	1.55	
D ₁	1.05	
E	1.75±0.1	
F	3.5±0.1	
P ₀	4.0±0.1	
P ₁	4.0±0.1	
P ₂	2.0±0.05	
T	0.2±0.05	
T ₂	1.3	
W	8.0±0.2	
W ₁	5.5	Thickness 0.1MAX



Unit : mm

Symbol	Size
A	Ø180 ⁺⁰ ₋₃
B	Ø 60 ⁺¹ ₋₀
C	Ø 13±0.2
D	Ø 21±0.8
E	2±0.5
W	9±0.3
W ₁	1.75

Unit : mm



Pull-out beginning : Empty part more than 20 embosses + Cover tape more than one around reel
 Pull-out end : Empty part more than 20 embosses

TAPING DIMENSIONS

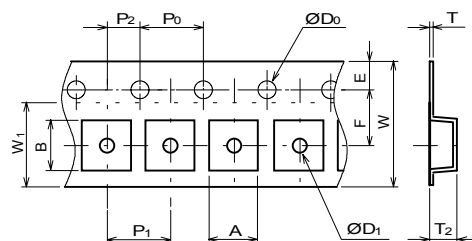
(10) Emboss Carrier Taping Dimensions for FLP

- FLP6-B2, C3 (TE1, TE2)/10-C1(TE3,TE4)

	FLP6-B2	FLP6-C3	FLP10-C1	
Symbol	Size	Size	Size	Remark
A	2.15	3.0±0.1	2.8±0.1	Bottom size
B	2.25	3.0±0.1	3.4±0.1	Bottom size
D ₀	1.55	1.55	1.55	
D ₁	1.05	1.05	1.05	
E	1.75±0.1	1.75±0.1	1.75±0.1	
F	3.5±0.1	3.5±0.1	5.5±0.1	
P ₀	4.0±0.1	4.0±0.1	4.0±0.1	
P ₁	4.0±0.1	4.0±0.1	4.0±0.1	
P ₂	2.0±0.1	2.0±0.05	2.0±0.05	
T	0.2±0.05	0.25±0.05	0.25±0.05	
T ₂	1.3	1.5	1.1	
W	8.0±0.3	8.0±0.3	12.0±0.3	
W ₁	5.5	5.5	9.5	Thickness 0.1MAX

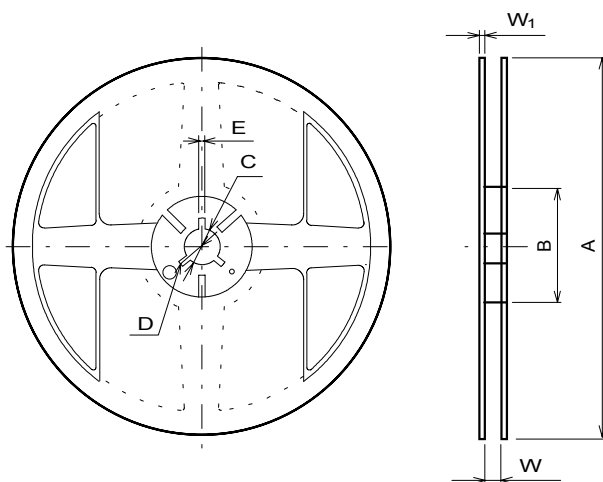
Unit : mm

→ Pull-out direction



	FLP6-B2	FLP6-C3	FLP10-C1
Symbol	Size	Size	Size
A	∅180 ⁺⁰ ₋₃	∅180±3	∅180±3
B	∅60 ⁺¹ ₋₀	∅60±1	∅60±1
C	∅13±0.2	∅13±0.2	∅13±0.2
D	∅21±0.8	∅21±0.8	∅21±0.8
E	2±0.5	2±0.5	2±0.5
W	9±0.5	9±0.5	13.0±0.5
W ₁	1.2±0.2	1.2±0.2	1.2±0.2

Unit : mm



Pull-out beginning : Empty part more than 20 embosses + Cover tape more than one around reel
 Pull-out end : Empty part more than 20 embosses

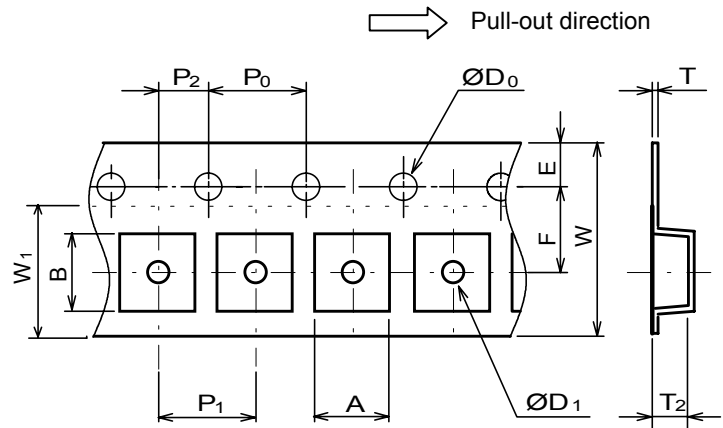
TAPING DIMENSIONS

(11) Emboss Carrier Taping Dimensions for FFP

• FFP16-C1 (TE1, TE2)

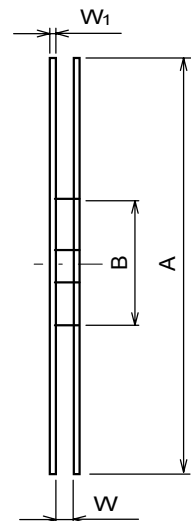
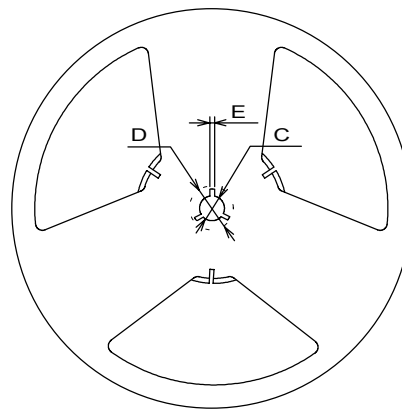
Symbol	Size	Remark
A	2.8±0.1	Bottom size
B	2.8±0.1	Bottom size
D ₀	1.5 ^{+0.1} ₋₀	
D ₁	1.0 ^{+0.2} ₋₀	
E	1.75±0.1	
F	3.5±0.05	
P ₀	4.0±0.1	
P ₁	4.0±0.1	
P ₂	2.0±0.05	
T	0.3±0.05	
T ₂	1.20	
W	8.0±0.2	
W ₁	5.5	Thickness 0.1MAX

Unit : mm



Symbol	Size
A	∅255±1
B	∅ 80±1
C	∅ 13±0.3
D	≥∅ 20.2
E	2±0.5
W	9.5±0.3
W ₁	2±0.2

Unit : mm



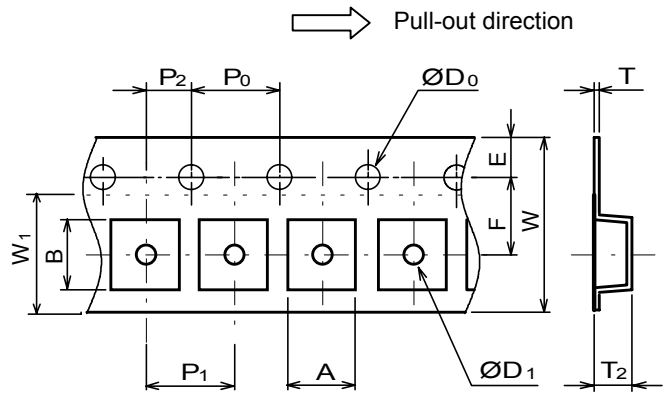
Pull-out beginning : Empty part more than 20 embosses + Cover tape more than one around reel
 Pull-out end : Empty part more than 20 embosses

TAPING DIMENSIONS

• FFP24-E1/32-G1 (TE1, TE2)

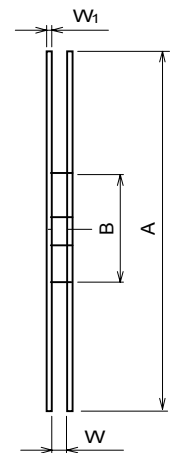
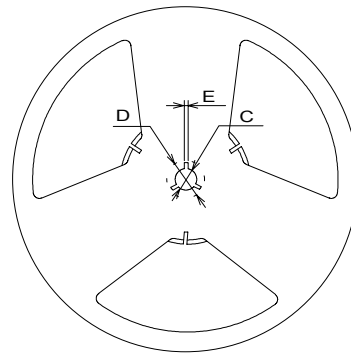
	FFP24-E1	FFP32-G1	
Symbol	Size	Size	Remark
A	3.8±0.1	4.8±0.1	Bottom size
B	3.8±0.1	4.8±0.1	Bottom size
D ₀	1.5 ^{+0.1} ₋₀	1.5 ^{+0.1} ₋₀	
D ₁	1.5 ^{+0.2} ₋₀	1.5 ^{+0.2} ₋₀	
E	1.75±0.1	1.75±0.1	
F	5.5±0.05	5.5±0.05	
P ₀	4.0±0.1	4.0±0.1	
P ₁	8.0±0.1	8.0±0.1	
P ₂	2.0±0.05	2.0±0.05	
T	0.3±0.05	0.3±0.05	
T ₂	1.20	1.20	
W	12.0±0.3	12.0±0.3	
W ₁	9.5	9.5	Thickness 0.1MAX

Unit : mm



Symbol	Size
A	∅255±1
B	∅ 80±1
C	∅ 13±0.3
D	≥∅ 20.2
E	2±0.5
W	13.5±0.5
W ₁	2±0.2

Unit : mm



Pull-out beginning : Empty part more than 20 embosses + Cover tape more than one around reel
 Pull-out end : Empty part more than 20 embosses

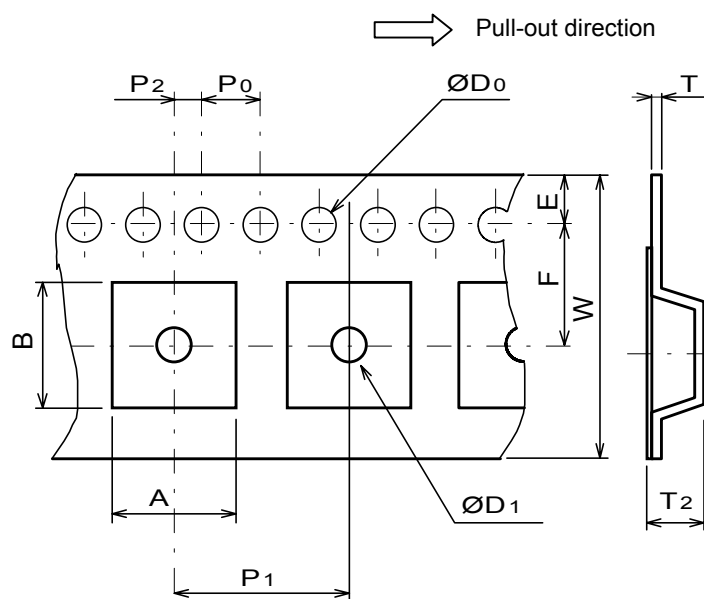
TAPING DIMENSIONS

(12) Emboss Carrier Taping Dimensions for PLCC

• PLCC28-M2 (TE3)

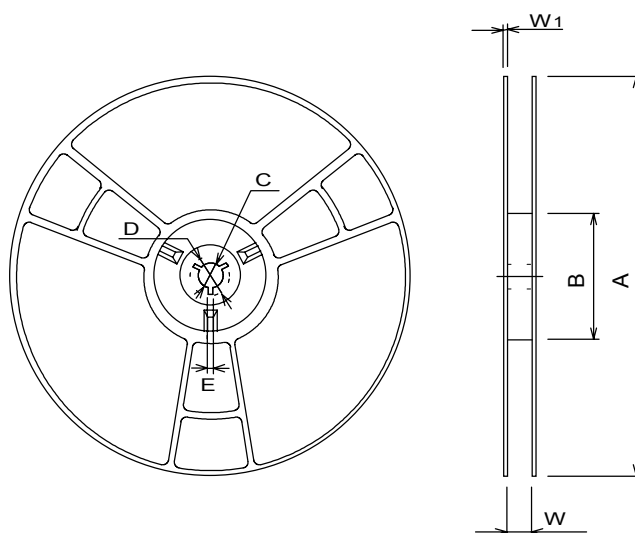
Symbol	Size	Remark
A	13.0	Bottom size
B	13.0	Bottom size
D ₀	1.5 ^{+0.1} ₋₀	
D ₁	1.55±0.1	
E	1.75±0.1	
F	11.5±0.1	
P ₀	4.0±0.1	
P ₁	16.0±0.1	
P ₂	2.0±0.1	
T	0.3±0.05	
T ₂	4.9	
W	24.0±0.3	

Unit : mm



Symbol	Size
A	Ø330±2
B	Ø100±1
C	Ø13 ^{+0.5} _{-0.2}
D	Ø20.2MIN
E	2±0.5
W	24±0.5
W ₁	2±0.2

Unit : mm



Pull-out beginning : Empty part more than 20 embosses + Cover tape more than one around reel
 Pull-out end : Empty part more than 20 embosses