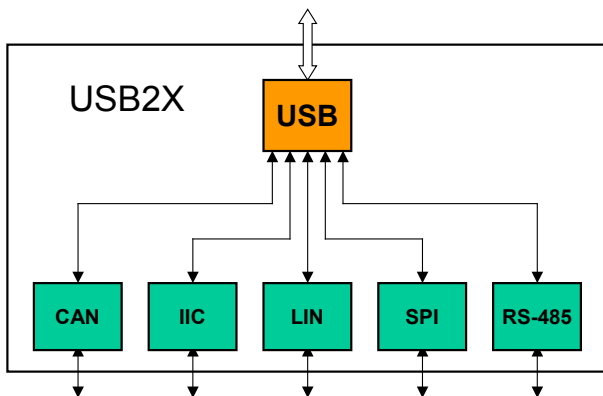




INFO The Engineer's „Swiss Army Knife" for Serial Bus Systems

The USB-2-X device is an interface converter that is equipped with a CAN interface, an IIC interface, a LIN interface, an SPI interface and an RS-485 interface. It is connected to the PC via an USB interface. The USB-2-X device is mainly designed for use with some of the Trinamic evaluation kits, but it can also be used in any other purpose where a connection between a PC and a CAN interface, an IIC interface, a LIN interface, an SPI interface or an RS485 interface is needed. The software supplied with this product can be used with every version of the Windows operating system that supports USB (Windows 98, Windows ME, Windows 2000, Windows XP). The USB-2-X device can be connected to USB 1.1 or USB 2.0 hosts and supports the full bitrate of 12MBit/s. It is fully powered by the bus, so no extra power supply is needed.



USB-2-X

USB to CAN, IIC, RS485, SPI, LIN Interface Converter

MAIN CHARACTERISTICS

- **USB host interface**
 connection to USB 1.1 or USB 2.0 hosts possible (a cable is included)
 USB full speed device (12MBit/s)
 bus powered (no extra power supply needed)
- **CAN**
 CAN 2.0A and 2.0B compatible standard (11 bit) and extended (29 bit) identifier possible
 transceiver: ISO 11898 compatible
 maximum bit rate: 1MBit/s
 120 ohms termination resistor can be activated with a jumper
- **LIN**
 compatible with LIN specification rev 1.3
 up to 20kBit/s
 Industry standard transceiver
- **I²C**
 single master
 up to 400kBit/s
 7-bit addressing
- **RS-485**
 · half duplex communication mode
 · industry standard 75176 transceiver
 · 2400, 9600 and 19200 bps supported
- **SPI**
 · master functionality
 · user defined bit rate up to 3.7MBit/s
- RoHS compliant

ORDER CODE	DESCRIPTION
TMC USB-2-X V2	USB interface converter (with USB cable)