



# TR10R SERIES 10W SWITCHING ADAPTER



## Features

- \* Universal Input: 90-264Vac
- \* Interchangeable AC Plugs
- \* EMI Meets EN55022 Class "B" and CISPR/FCC Class B, Conducted
- \* Continuous Short Circuit Protection
- \* Over Current Protection



## Ordering information

TR10RXXX	-	XX	X	XX
Model No.		DC Plug Type		DC Cable Length and Type
		* Please see Page 213 for more detailed descriptions	A: Without OVP Option	01: 720mm 02: 1200mm 03: 1800mm 11: 7200mm with Ferrite Core 12: 1200mm with Ferrite Core 13: 1800mm with Ferrite Core * 20AWG / UL2468

"Go to [www.cincon.com](http://www.cincon.com) for additional technical information"

MODEL	OUTPUT VOLTAGE	MAX. LOAD	MIN. LOAD	RIPPLE & NOISE	VOLTAGE ACCURACY	LINE REGULATION	LOAD REGULATION	SWITCHING FREQUENCY	(%) EFF.
TR10R033	3.3V	1600mA	0A	50mV	±3%	±1%	±4%	40KHz Typ.	57% min.
TR10R050	5V	1600mA	0A	50mV	±2%	±1%	±4%	40KHz Typ.	62% min.
TR10R060	6V	1500mA	0A	1%	±2%	±1%	±3%	40KHz Typ.	65% min.
TR10R075	7.5V	1200mA	0A	1%	±2%	±1%	±3%	40KHz Typ.	65% min.
TR10R090	9V	1100mA	0A	1%	±2%	±1%	±2%	40KHz Typ.	70% min.
TR10R120	12V	850mA	0A	1%	±2%	±1%	±2%	40KHz Typ.	70% min.
TR10R136	13.6V	750mA	0A	1%	±2%	±1%	±2%	40KHz Typ.	72% min.
TR10R150	15V	700mA	0A	1%	±2%	±1%	±2%	40KHz Typ.	72% min.
TR10R180	18V	550mA	0A	1%	±2%	±1%	±2%	40KHz Typ.	73% min.
TR10R240	24V	400mA	0A	1%	±2%	±1%	±2%	40KHz Typ.	73% min.

## Specifications

### INPUT SPECIFICATIONS:

Voltage .....	90~264Vac
Frequency .....	47 to 63Hz
Input Current .....	0.4A max.
Inrush Current .....	30A max. @264Vac
Isolation .....	Input to output = 4,242VDC
Leakage Current .....	0.25mA max.

### OUTPUT SPECIFICATIONS:

Holdup Time .....	10ms typ. @115Vac
Short Circuit Protection .....	Continuous(Auto Recovery)
Over Current Protection .....	Constant Current type

### ENVIRONMENTAL CHARACTERISTICS:

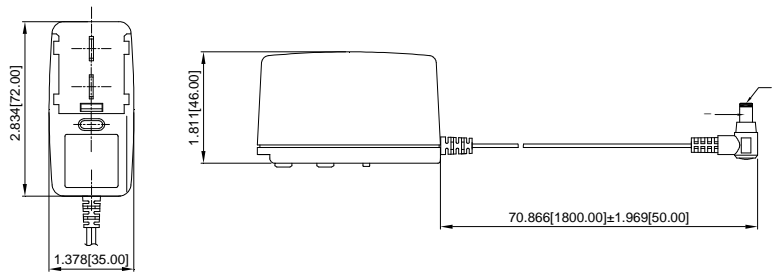
Operating Temperature .....	0 ~ 40°C
Storage Temperature .....	-20~85°C
Cooling .....	Natural Convection

### MECHANICAL CHARACTERISTICS:

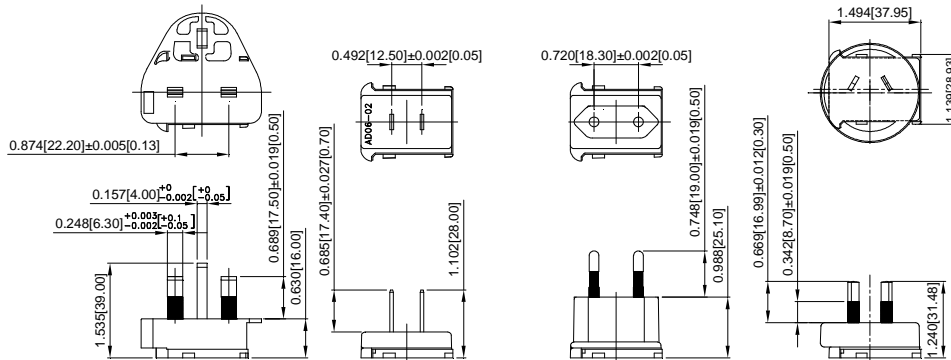
Dimensions .....	2.835x1.811x1.378Inches (72.00x46.00x35.00mm)
Weight .....	155g(0.34 Pounds)

### Mechanical Specification

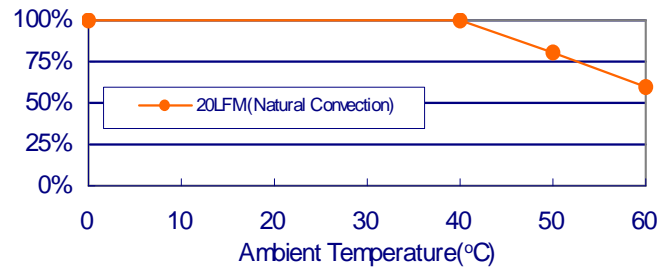
All Dimensions are in inches(mm)  
 Tolerance:Inches:X.XXX±0.02  
 Millimeters:X.XX±0.5



DC Plug type: V+ ● V-  
 DC Plug: Right Angle (ø5.5/ø2.5)L9.5mm  
 18AWG / 1800mm



## TR10R Series Derating Curve



### NOTE:

1. Voltage setpoint at 60% full load
2. Add a 0.1uF ceramic capacitor and a 10uF E.L. capacitor to output for Ripple & Noise measuring @20MHz BW.
3. Line regulation is measured from 100Vac to 240Vac with full load.
4. Load regulation is measured from 60% to full load and from 60% to 20% load (60% +/- 40% load)
5. "Various TR Series adapters are PSE certified. PSE certification alone is not sufficient for importation into Japan. A valid PSE mark must contain the name of the importer as shown in the example below If PSE mark is required, the name of the registered importer must be supplied to Cincon on order placement. Product labels will not contain PSE mark if importer name is not supplied. Consult factory or local representative for details"



Typical at 25°C, nominal line and 75% load, unless otherwise Specified

**Revision History**

Revision Version	Date	Change Description	Signature
V10	96.06.28	New Release	Joyce