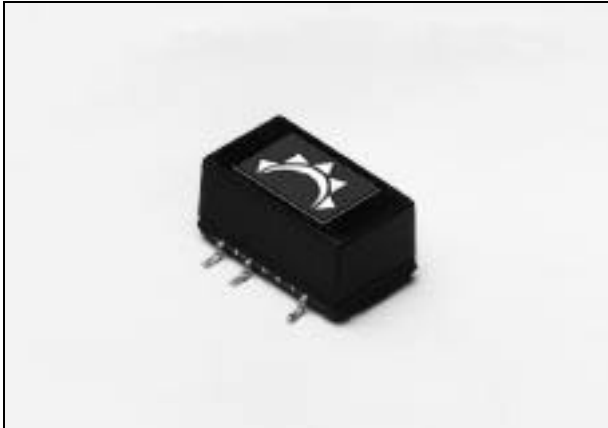


## M BR01 SERIES

### SINGLE OUTPUTS



#### FEATURES:

- Up To 1 Watt Output Power
- 1000Vdc Isolation
- Surface Mount
- 14 Pin SMD Package
- Unregulated Output Types
- Miniature Size 0.152" Sq.

#### GENERAL SPECIFICATIONS:

Output Ripple & Noise	100mV P-P(20Khz B.W.)
Isolation Resistance	100M @ 500Vdc
Switching Frequency	20Khz Min.
Operating Temperature	0-70C
Efficiency	70% Typ.
Weight	1.0G

#### ELECTRICAL SPECIFICATIONS:

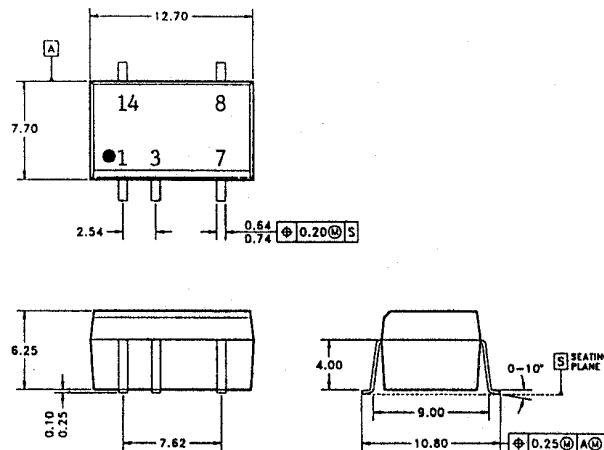
Input Voltage Range	+/-5%
Output Voltage Tolerance	+/-5%
Line Regulation	+/-1.2%
Load Regulation	+/-10%

All Specifications @ Full Load & 25C Unless Otherwise Specified

#### MODEL SELECTION GUIDE:

INPUT VOLTAGE (VDC)	OUTPUT VOLTAGE (VDC)	OUTPUT CURRENT MA	EFFICIENCY (%TYP.)	MODEL NUMBER
5	5.00	200	70	MBR01-5S05SM
5	9.00	110	75	MBR01-5S09SM
5	12.00	85	75	MBR01-5S12SM
5	15.00	66	75	MBR01-5S15SM
12	5.00	200	70	MBR01-12S05SM
12	9.00	110	75	MBR01-12S09SM
12	12.00	85	75	MBR01-12S12SM
12	15.00	66	75	MBR01-12S15SM

PIN NO.	FUNCTION
1	-Vin
3	+Vin
7	-Vo
8	+Vo
14	N/C



MODIFICATIONS AND CUSTOMS AVAILABLE